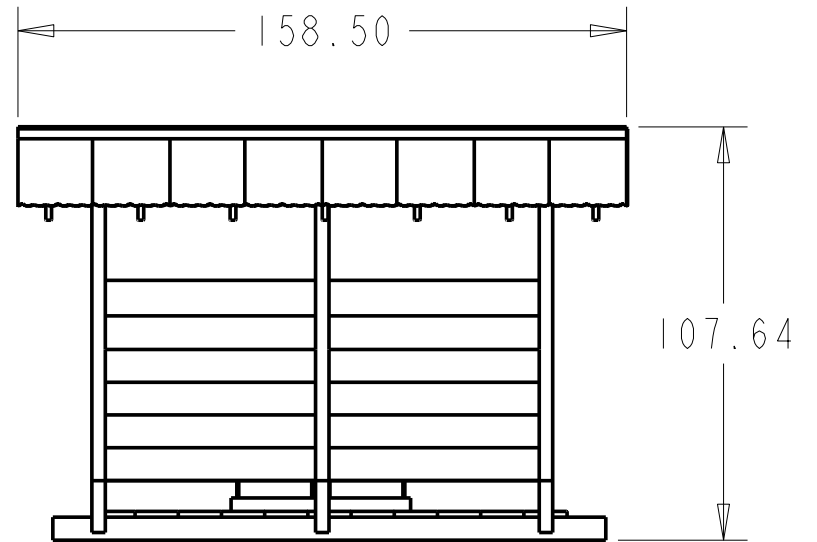
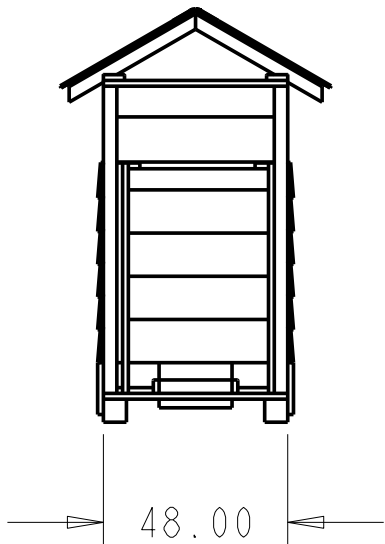
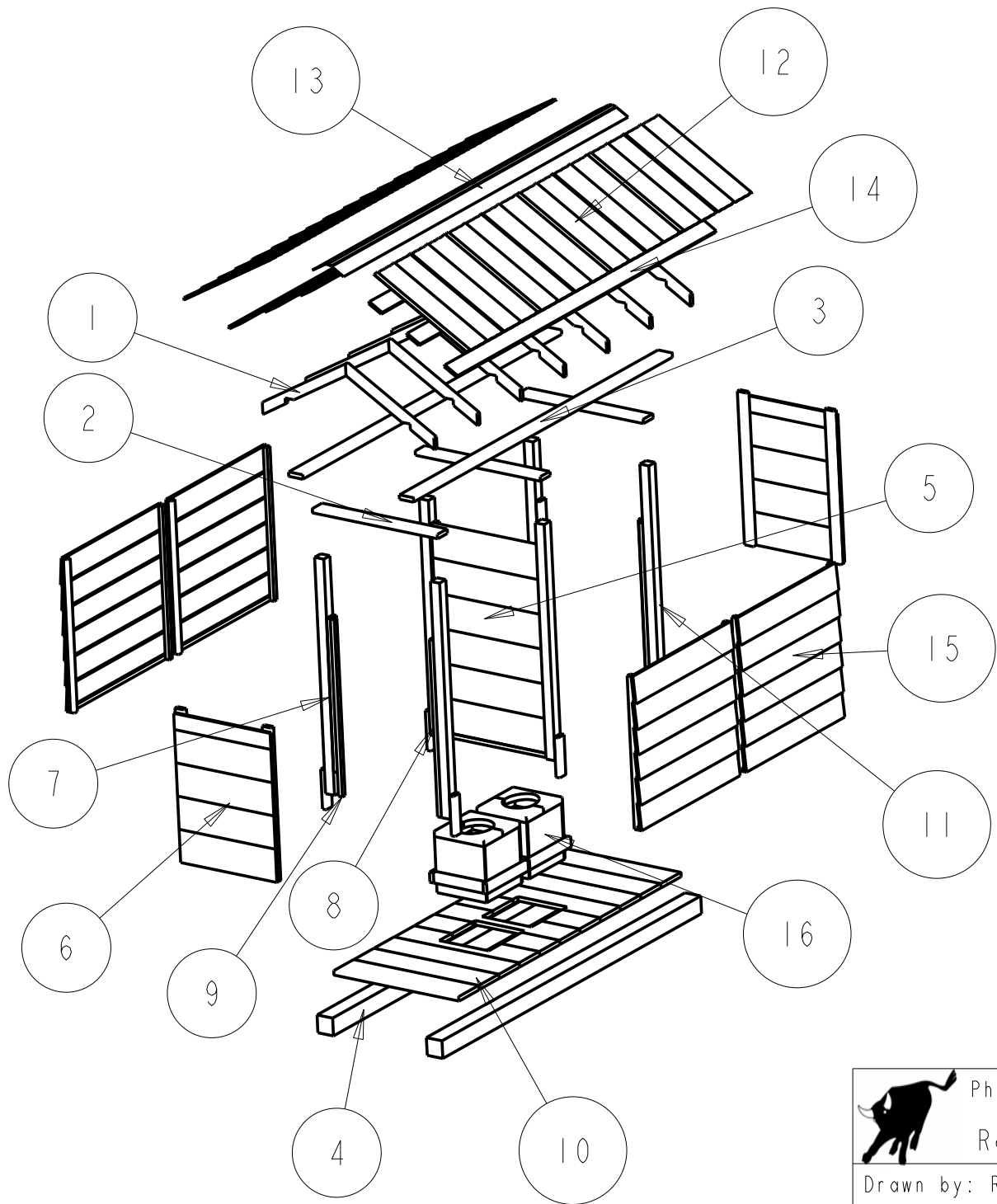


	Philmont Scout Ranch		Title: PTB Style Red Roof Inn	
	Red Roof Inn V3		Tolerances: N/A	
Drawn by: Ronald La Curan		N/A		Index: N/A
Date: 10/06/08	Scale: 1:50	Version: 1		Page 1 of 38



	Philmont Scout Ranch		Title: Overall Dimensions	
	Red Roof Inn V3		Tolerances: $\pm 0.25$	
Drawn by: Ronald La Curan		N/A	Index: N/A	
Date: 10/06/08	Scale: 1:50	Version: 1	Page 2 of 38	



Index	Part Name	Qty
1	A_FRAME	7
2	A_FRAME_BASE	3
3	A_FRAME_SUPPORT	2
4	BASE	2
5	CENTER_WALL	1
6	DOOR	2
7	DOOR_STOP_1	2
8	DOOR_STOP_2	2
9	DOOR_STOP_3	2
10	FLOOR	11
11	POSTS	6
12	ROOF_PANEL	8
13	ROOF_PEAK	1
14	ROOF_SLATS	6
15	SIDE_WALL	4
16	TOILET_SEAT	2



Philmont Scout Ranch

Red Roof Inn V3

Title: Explode View

Tolerances: N/A

Drawn by: Ronald La Curan

N/A

Index: N/A

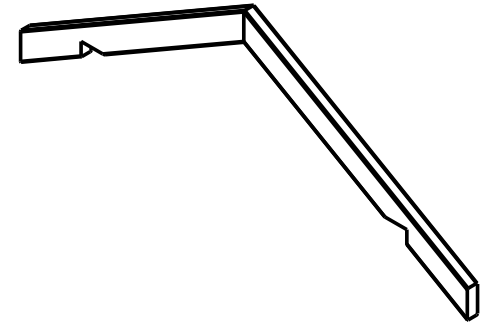
Date: 10/06/08

Scale: 1:50

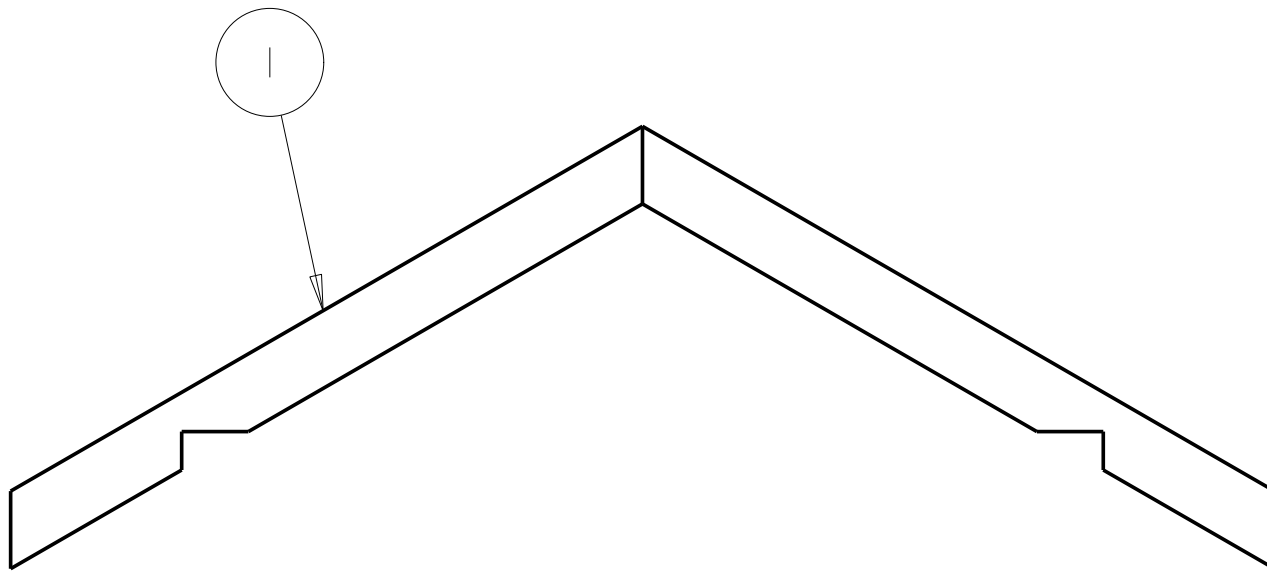
Version: 1

Page 3 of 38

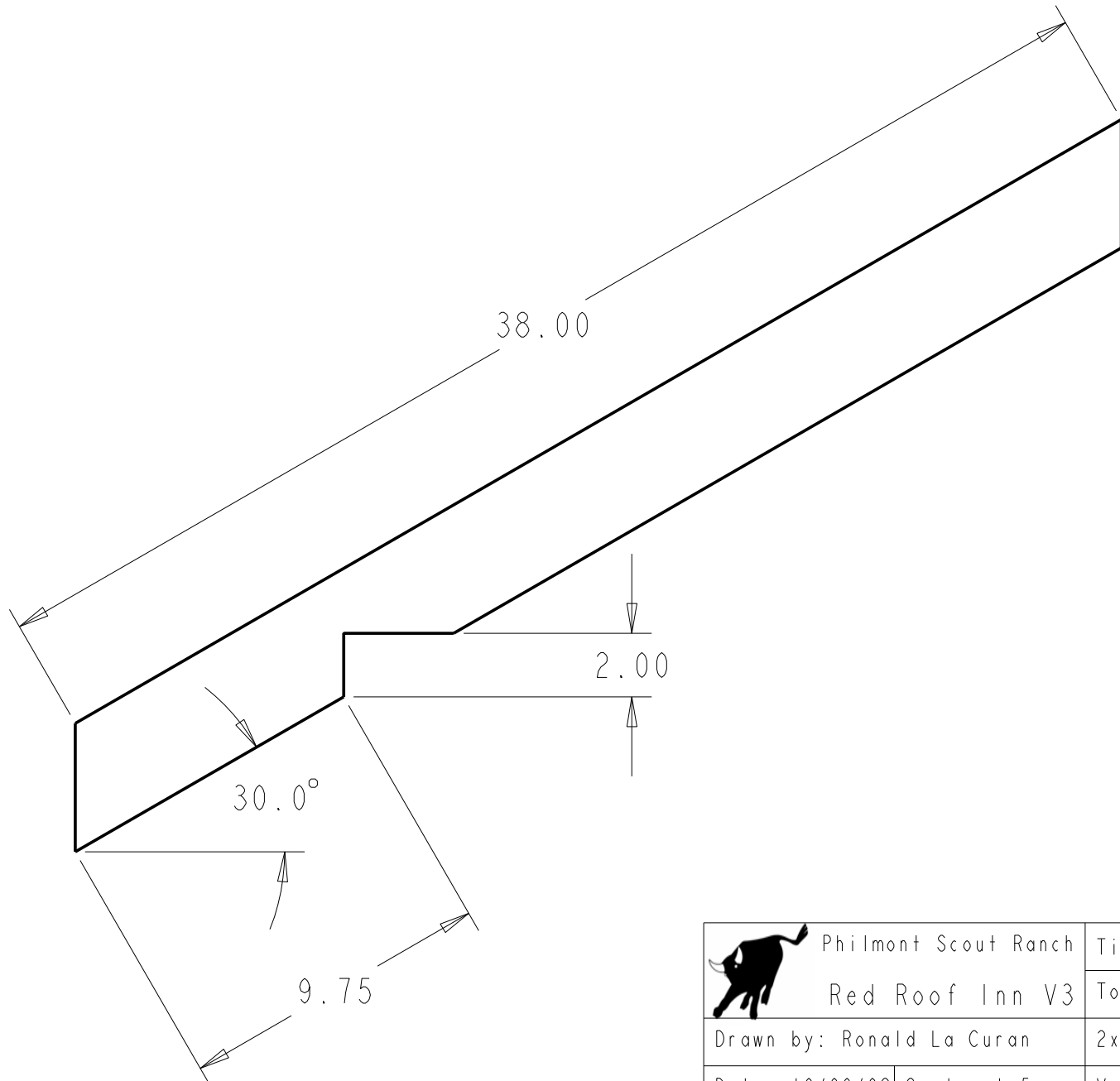
Index	Part Name	Description	Qty
1	A_FRAME_MODEL_FIT	Dimensions on next page	2



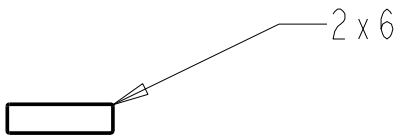
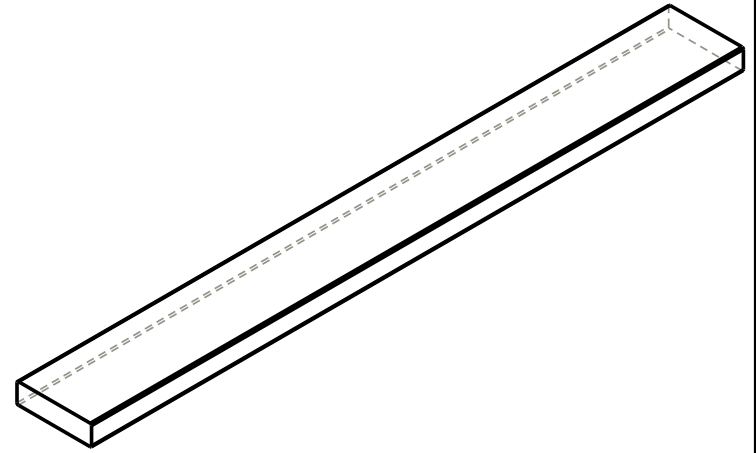
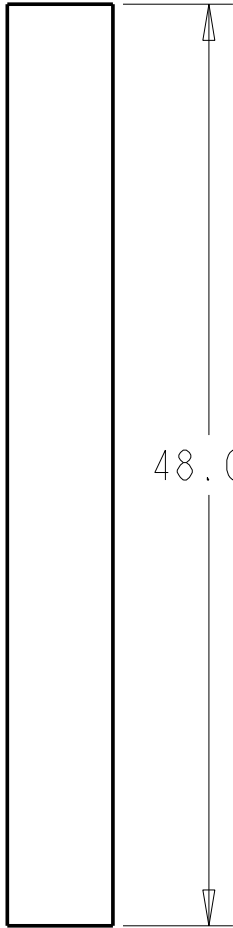
SCALE 0.050



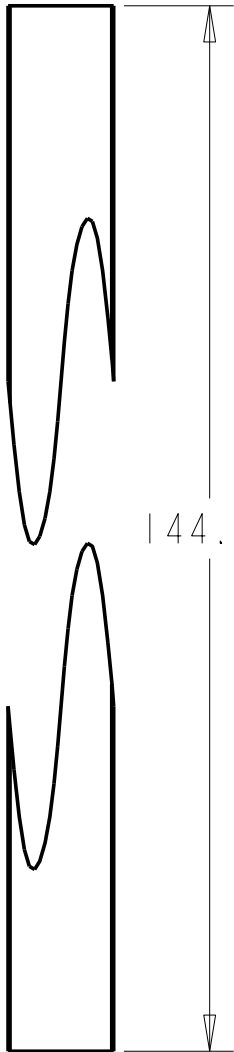
	Philmont Scout Ranch	Title: A Frame Parts	
	Red Roof Inn V3	Tolerances: N/A	
Drawn by: Ronald La Curan	SPF	Index: 1	
Date: 10/06/08	Scale: 1:10	Version: 1	Page 5 of 38



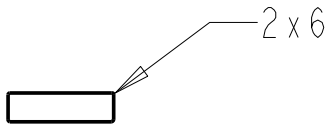
	Philmont Scout Ranch		Title: A_FRAME	
	Red Roof Inn V3		Tolerances: ±0.25	
Drawn by: Ronald La Curan		2x4 Planed SPF	Index: 1	
Date: 10/06/08	Scale: 1:5	Version: 1	Page 5 of 38	



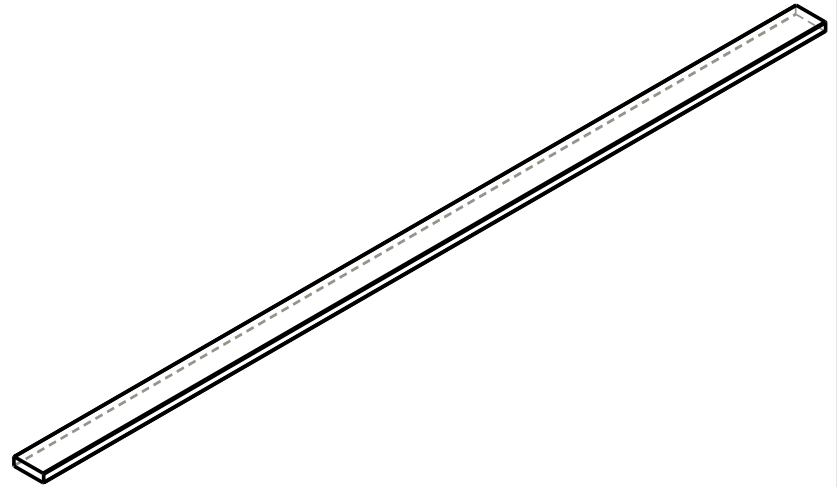
	Philmont Scout Ranch		Title: A_FRAME_BASE
	Red Roof Inn V3		Tolerances: ±0.25
Drawn by: Ronald La Curan		SPF	Index: 2
Date: 10/06/08	Scale: 1:10	Version: 1	Page 6 of 38



144.00

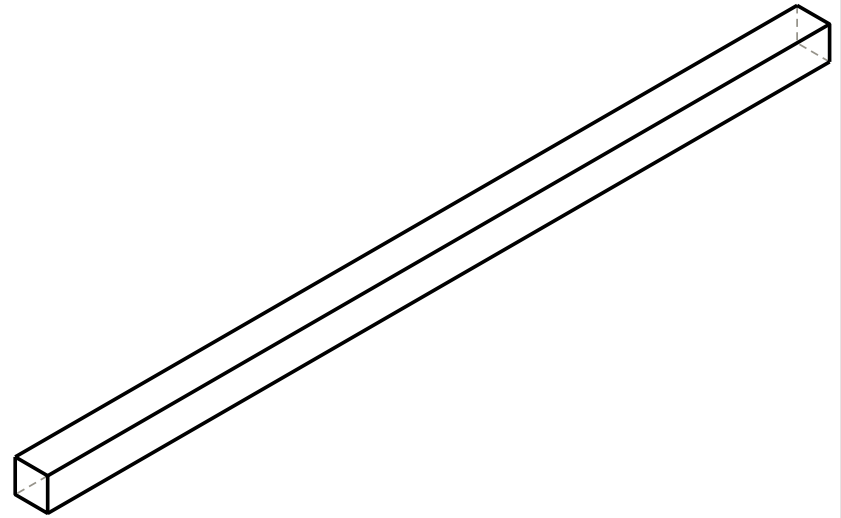
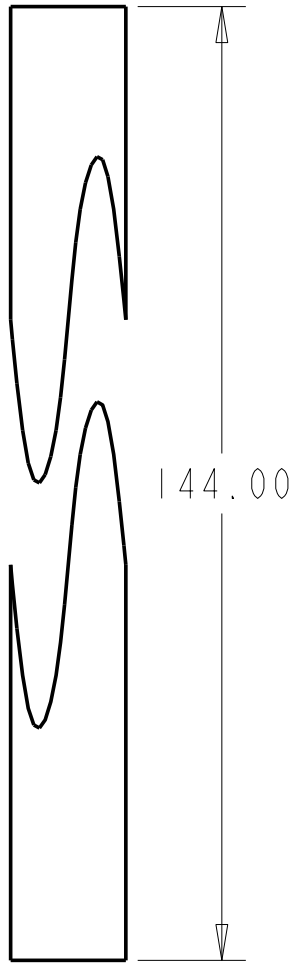


2 x 6

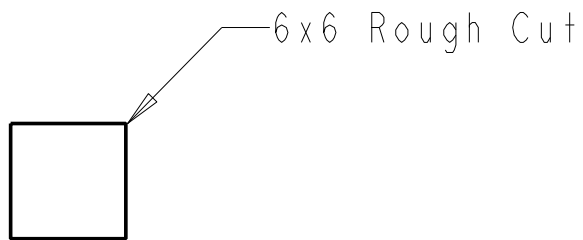


SCALE 0.040

	Philmont Scout Ranch		Title: A_FRAME_SUPPORT	
	Red Roof Inn V3		Tolerances: ±0.25	
Drawn by: Ronald La Curan		SPF	Index: 3	
Date: 10/06/08	Scale: 1:10	Version: 1	Page 7 of 38	

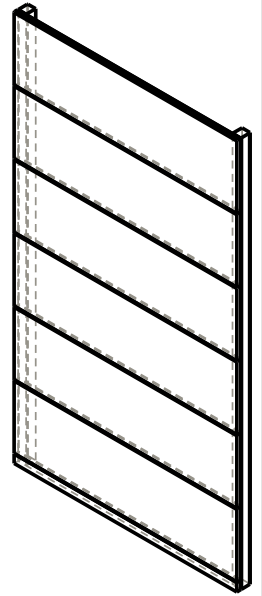
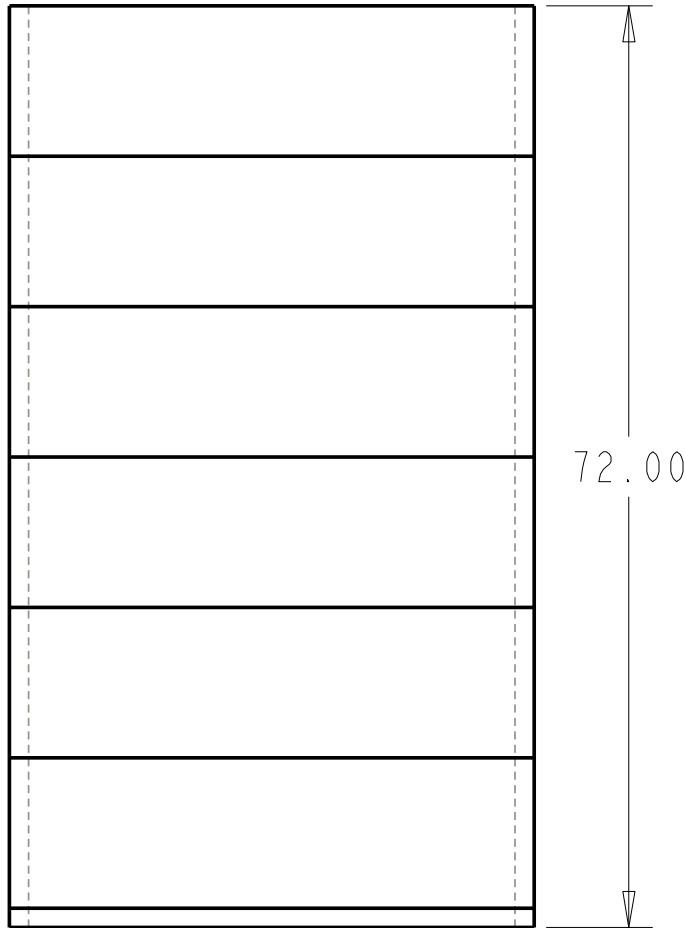
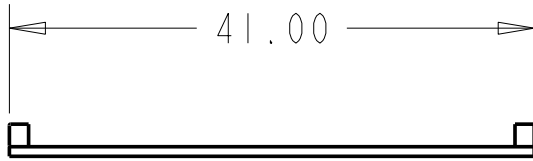


SCALE 0.040



	Philmont Scout Ranch		Title: BASE	
	Red Roof Inn V3		Tolerances: $\pm 0.25$	
Drawn by: Ronald La Curan		SPF <small>Pressure Treated</small>	Index: 4	
Date: 10/06/08	Scale: 1:10	Version: 1	Page 8 of 38	

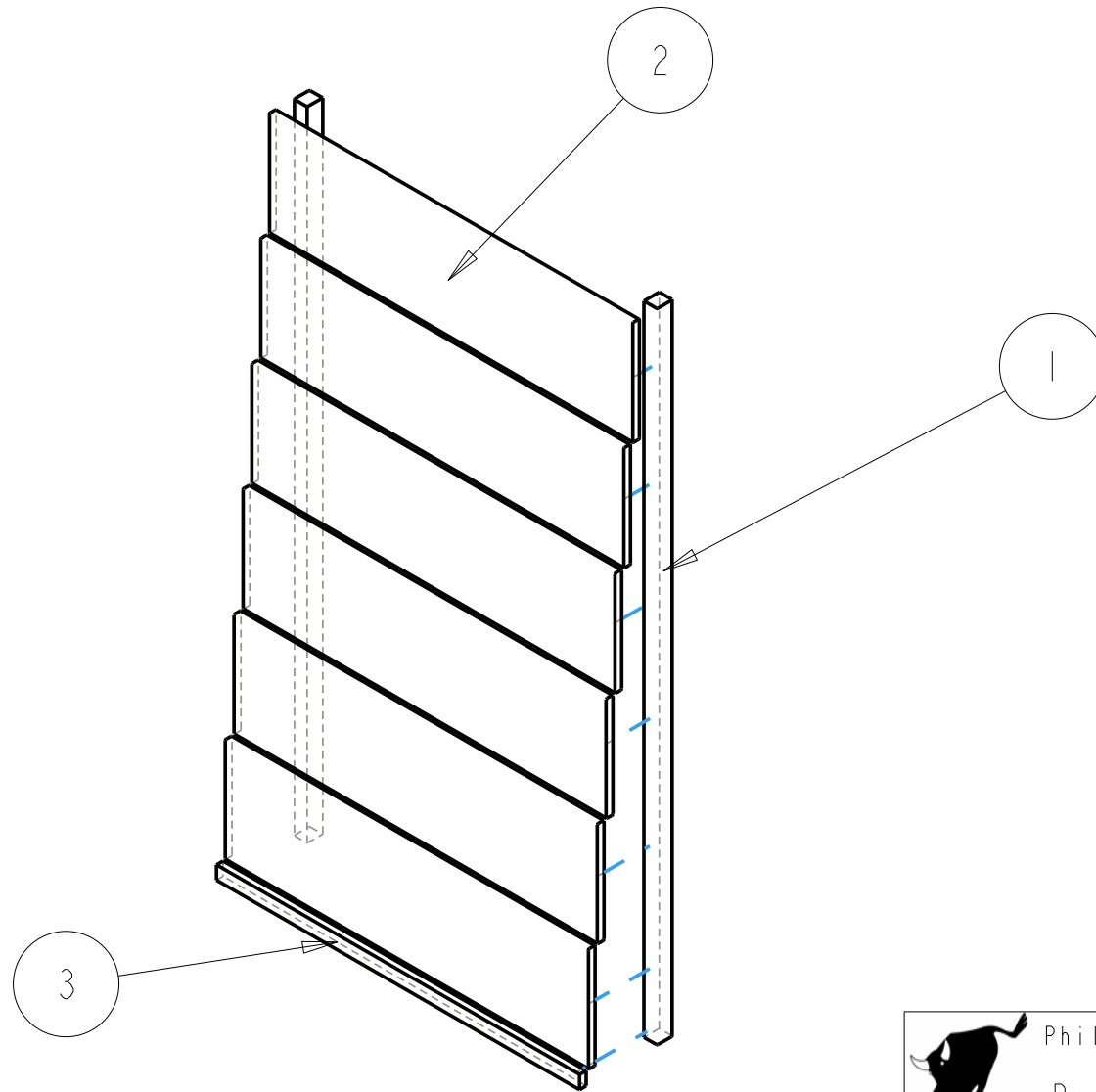




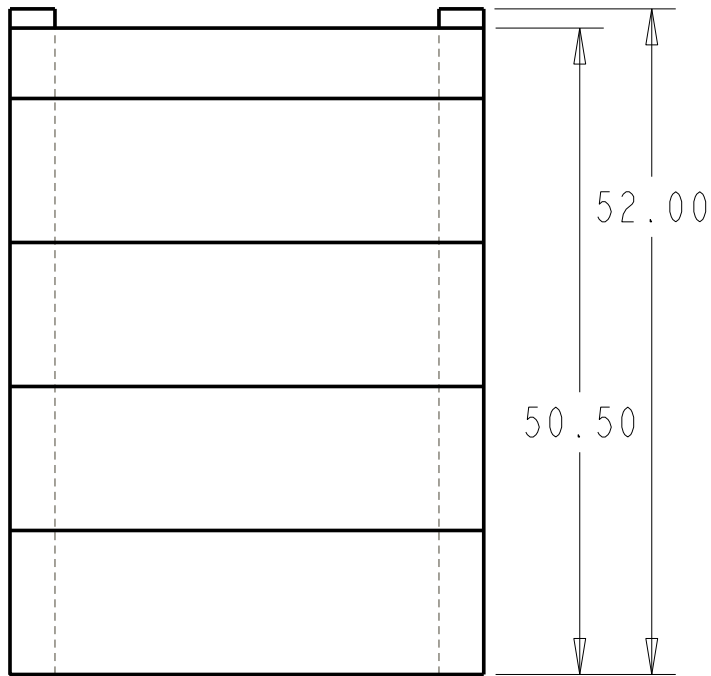
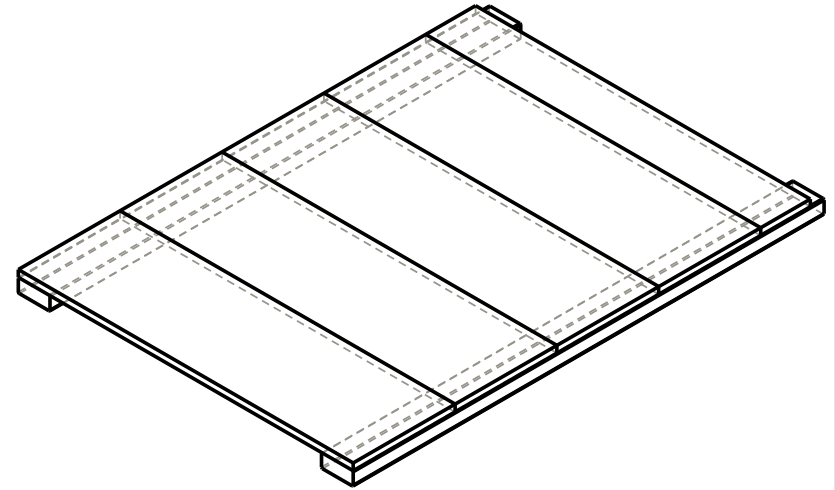
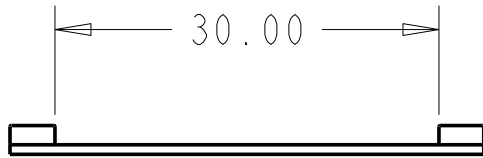
SCALE 0.040

	Philmont Scout Ranch		Title: CENTER_WALL	
	Red Roof Inn V3		Tolerances: ±0.25	
Drawn by: Ronald La Curan		SPF	Index: 5	
Date: 10/06/08	Scale: 1:15	Version: 1	Page 9 of 38	

Index	Part Name	Description	Qty
1	CEN_WALL_FRAME	2x4 Planed 72" long	2
2	CEN_WALL_PANEL	1x12 Planed 41" Long	6
3	CEN_WALL_PANEL_SM	1x2 Planed 41" Long	1

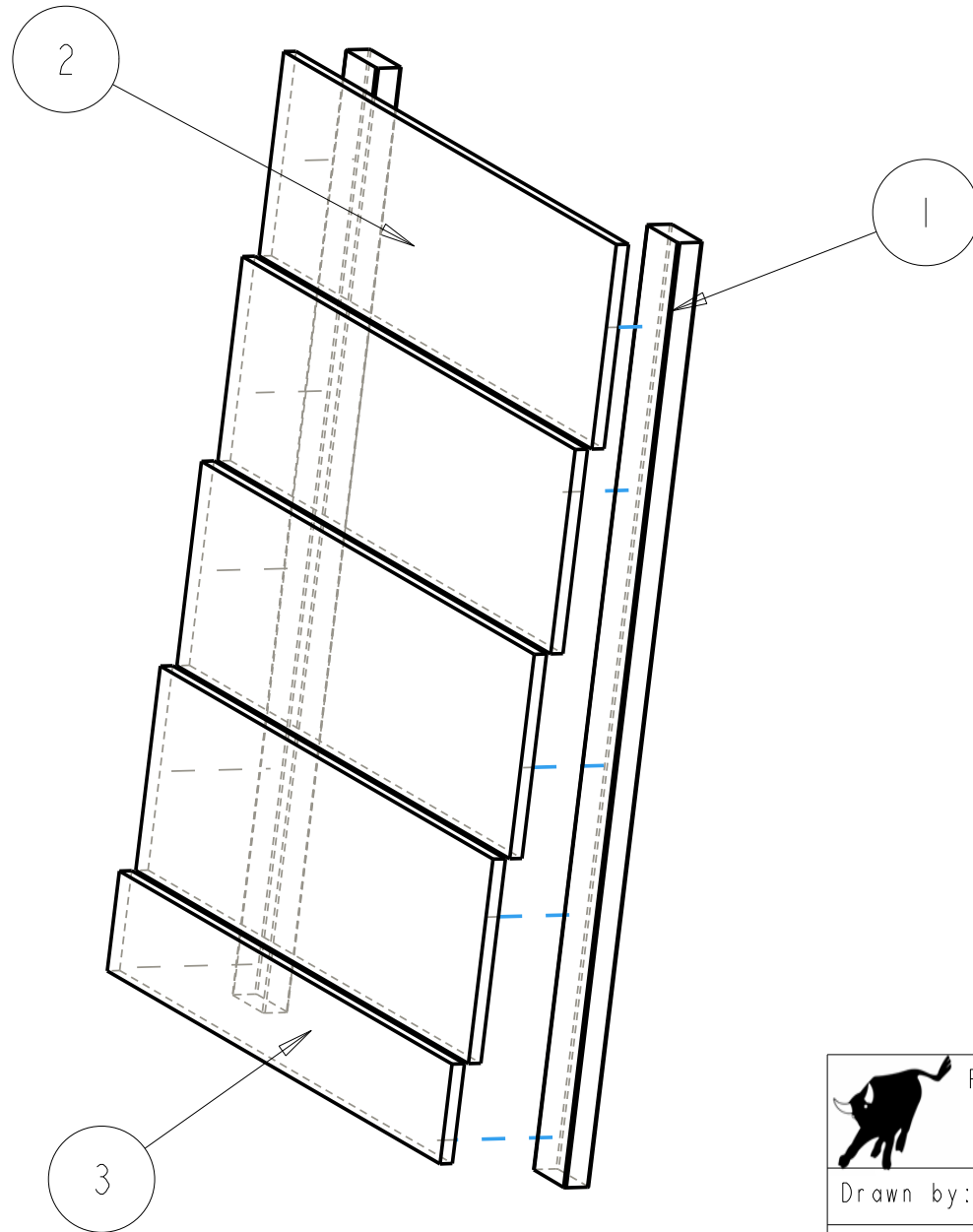


	Philmont Scout Ranch	Title: CENTER_WALL EXPLODE	
	Red Roof Inn V3	Tolerances: $\pm 0.25$	
Drawn by: Ronald La Curan	SPF	Index: 5	
Date: 10/06/08	Scale: 1:15	Version: 1	Page 10 of 38

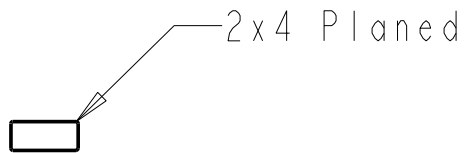
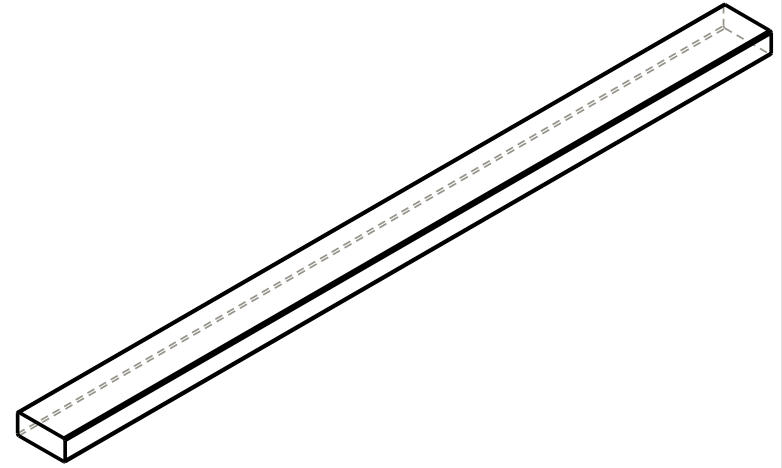
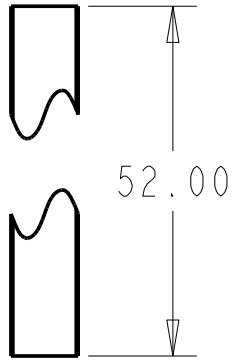


	Philmont Scout Ranch		Title: DOOR	
	Red Roof Inn V3		Tolerances: $\pm 0.25$	
Drawn by: Ronald La Curan		SPF	Index: 6	
Date: 10/06/08	Scale: 1:15	Version: 1	Page 11 of 38	

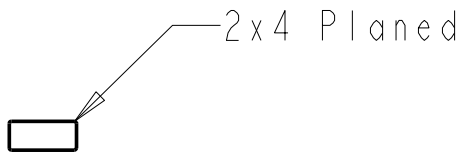
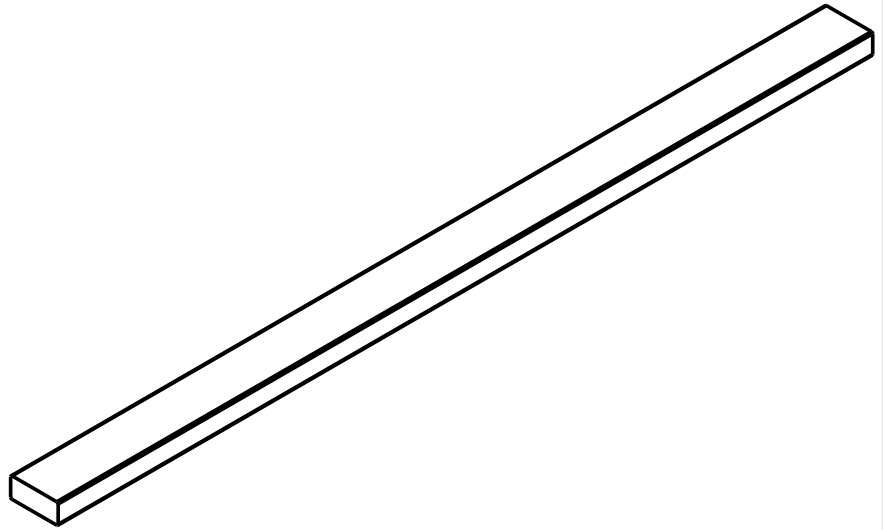
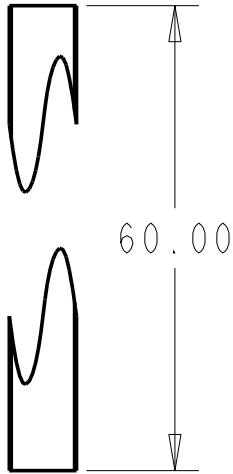
Index	Part Name	Description	Qty
1	DOOR_FRAME	2x4 Planed 52" Long	2
2	DOOR_PANEL	1x12 Planed 37" Long	4
3	DOOR_PANEL_SM	1x6 Planed 37" Long	1



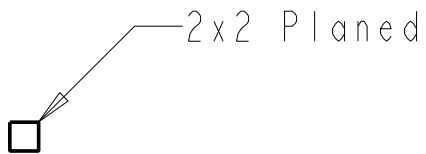
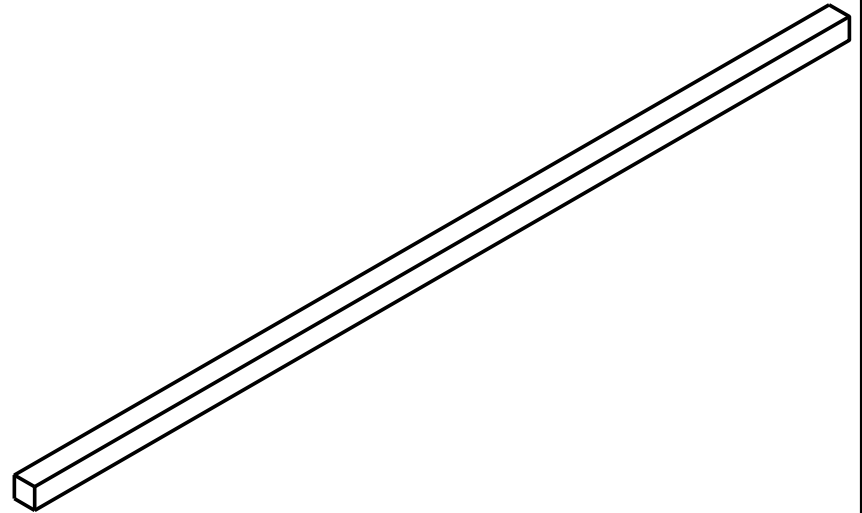
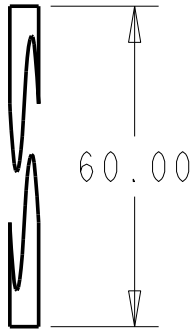
	Philmont Scout Ranch	Title: DOOR EXPLODE	
	Red Roof Inn V3	Tolerances: ±0.25	
Drawn by: Ronald La Curan	SPF	Index: 5	
Date: 10/06/08	Scale: 1:10	Version: 1	Page 12 of 38



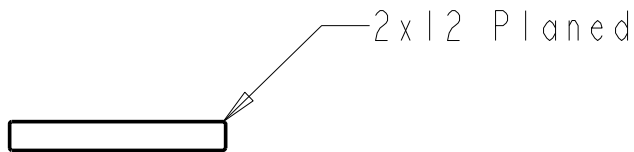
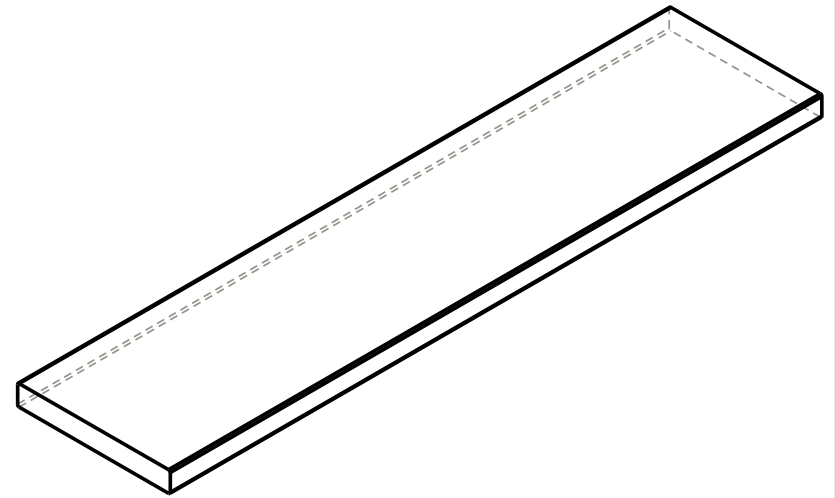
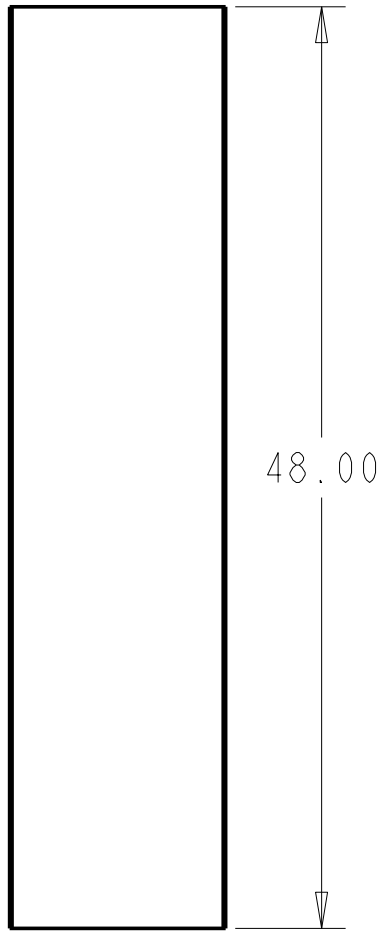
	Philmont Scout Ranch	Title: DOOR_STOP_1	
	Red Roof Inn V3	Tolerances: $\pm 0.25$	
Drawn by: Ronald La Curan	SPF	Index: 7	
Date: 10/06/08	Scale: 1:10	Version: 1	Page 13 of 38



	Philmont Scout Ranch	Title: DOOR_STOP_2	
	Red Roof Inn V3	Tolerances: $\pm 0.25$	
Drawn by: Ronald La Curan	SPF	Index: 8	
Date: 10/06/08	Scale: 1:10	Version: 1	Page 14 of 38

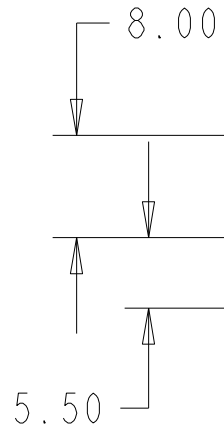
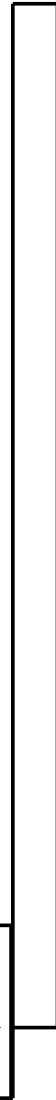


	Philmont Scout Ranch		Title: DOOR_STOP_3
	Red Roof Inn V3		Tolerances: $\pm 0.25$
Drawn by: Ronald La Curan		SPF	Index: 9
Date: 10/06/08	Scale: 1:10	Version: 1	Page 15 of 38




	Philmont Scout Ranch		Title: FLOOR	
	Red Roof Inn V3		Tolerances: $\pm 0.25$	
Drawn by: Ronald La Curan		SPF <small>Pressure Treated</small>	Index: 10	
Date: 10/06/08	Scale: 1:10	Version: 1	Page 16 of 38	

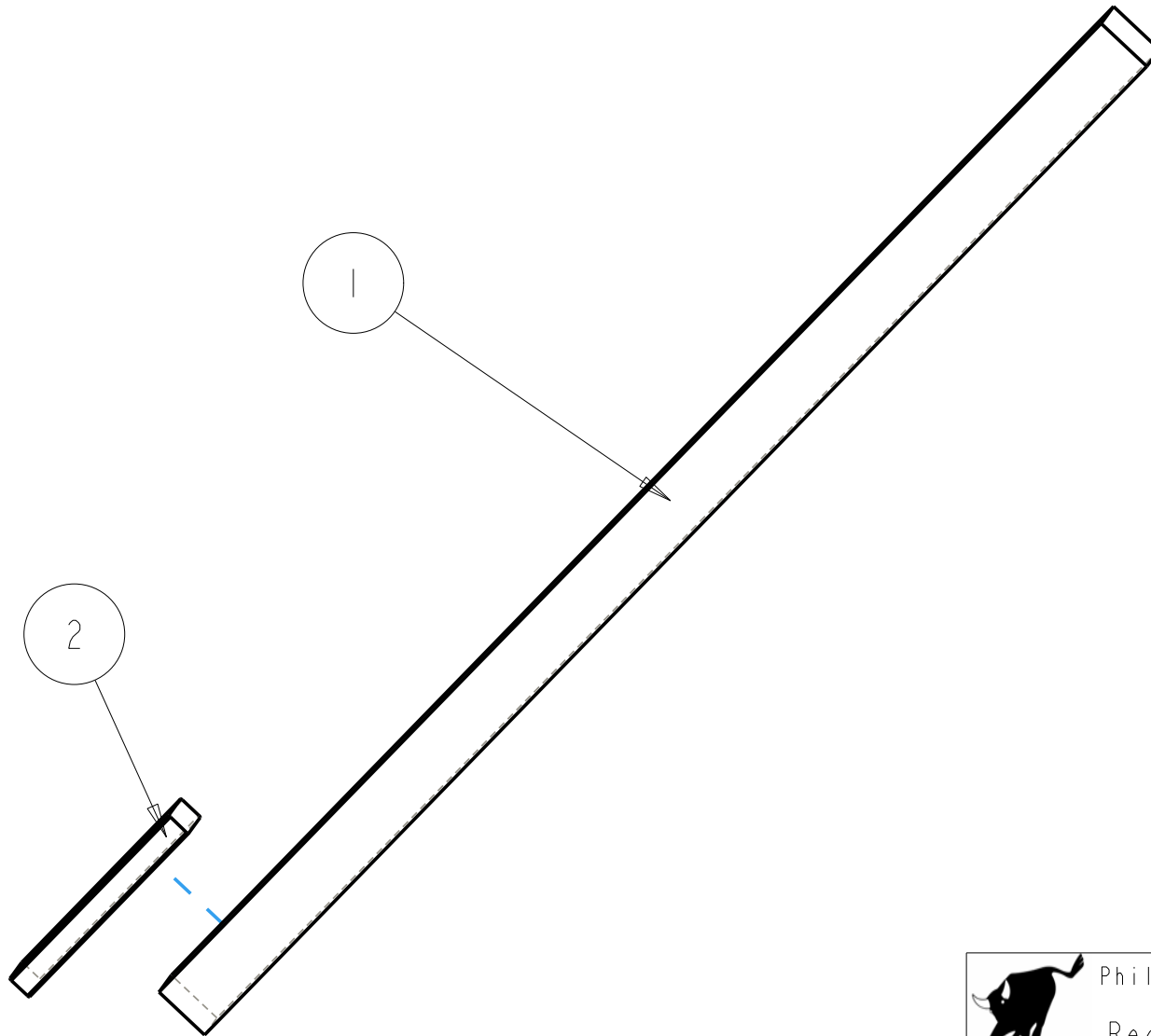




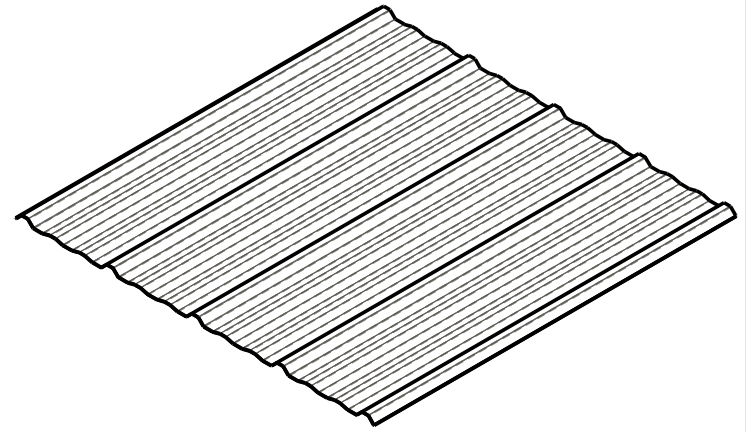
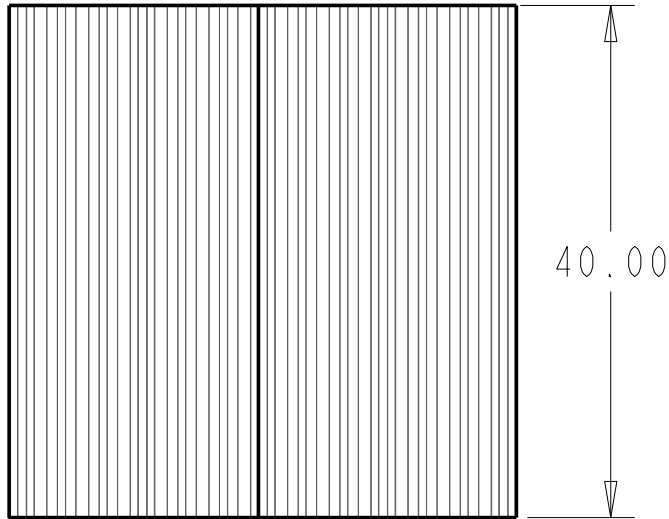
SCALE 0.040

	Philmont Scout Ranch		Title: POSTS	
	Red Roof Inn V3		Tolerances: $\pm 0.25$	
Drawn by: Ronald La Curan		SPF	Index: 11	
Date: 10/06/08	Scale: 1:15	Version: 1	Page 17 of 38	

Index	Part Name	Description	Qty
1	POST	4x4 Planed 80" Long	1
2	POST_SUPPORTS	2x4 Planed 13.5" Long	1

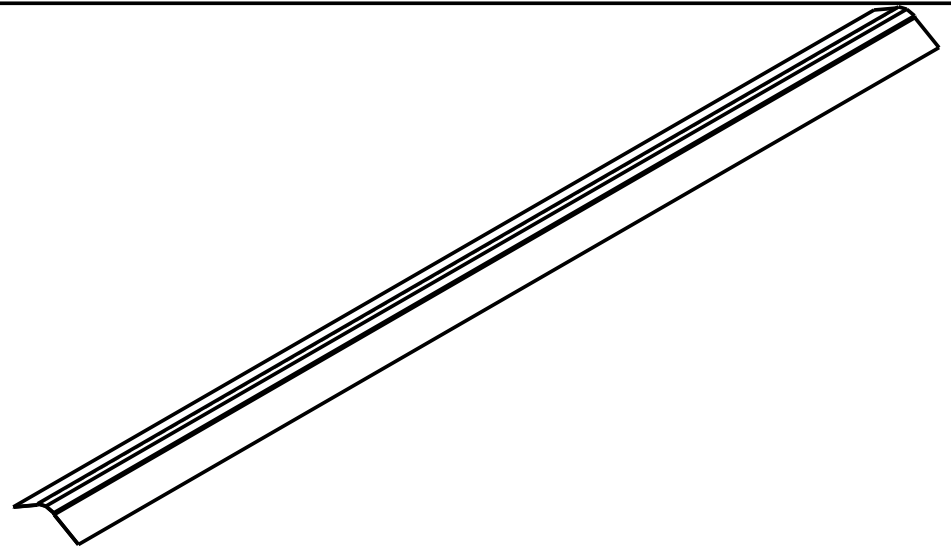
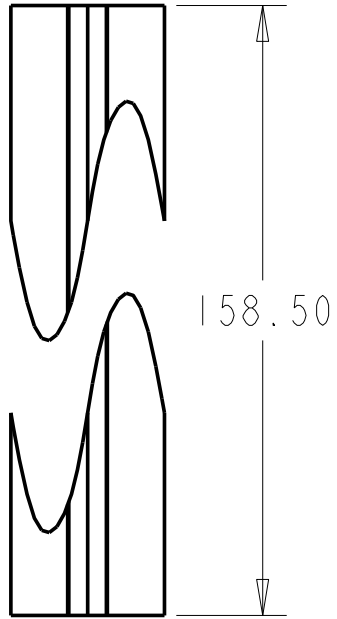


	Philmont Scout Ranch	Title: POSTS EXPLODE	
	Red Roof Inn V3	Tolerances: $\pm 0.25$	
Drawn by: Ronald La Curan	SPF	Index: 11	
Date: 10/06/08	Scale: 1:10	Version: 1	Page 18 of 38



.....

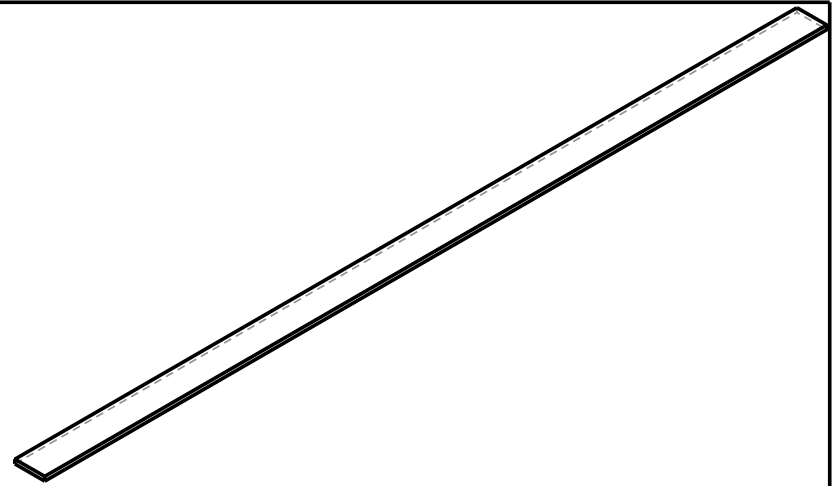
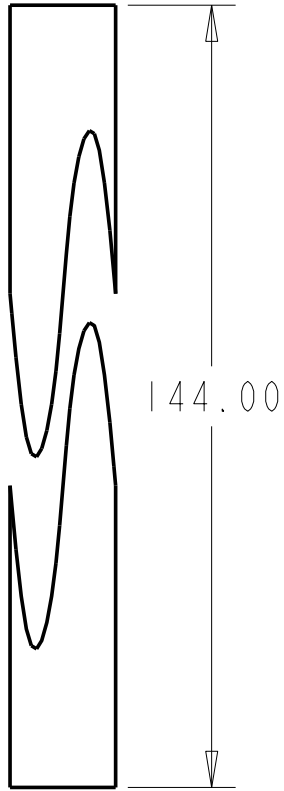
	Philmont Scout Ranch		Title: ROOF_PANEL
	Red Roof Inn V3		Tolerances: $\pm 0.25$
Drawn by: Ronald La Curan		3ft Pro-Panel	Index: 12
Date: 10/06/08	Scale: 1:15	Version: 1	Page 19 of 38



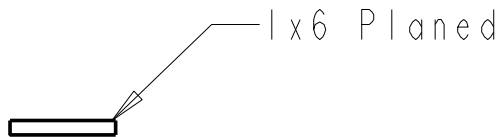
SCALE 0.040



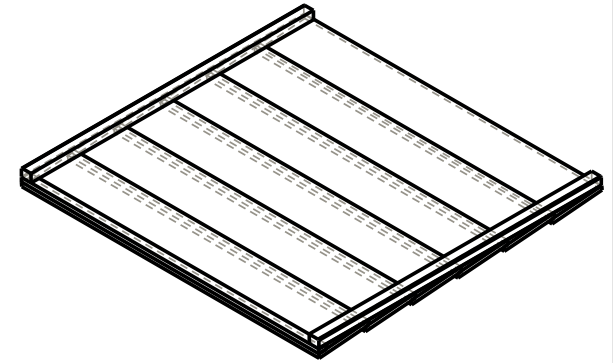
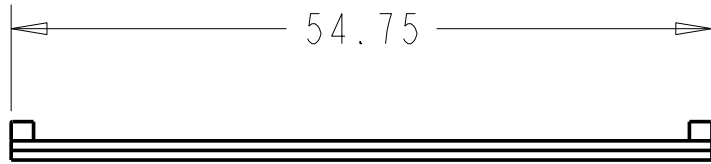
	Philmont Scout Ranch		Title: ROOF_PEAK
	Red Roof Inn V3		Tolerances: $\pm 0.25$
Drawn by: Ronald La Curan		Pro-Panel	Index: 13
Date: 10/06/08	Scale: 1:15	Version: 1	Page 20 of 38



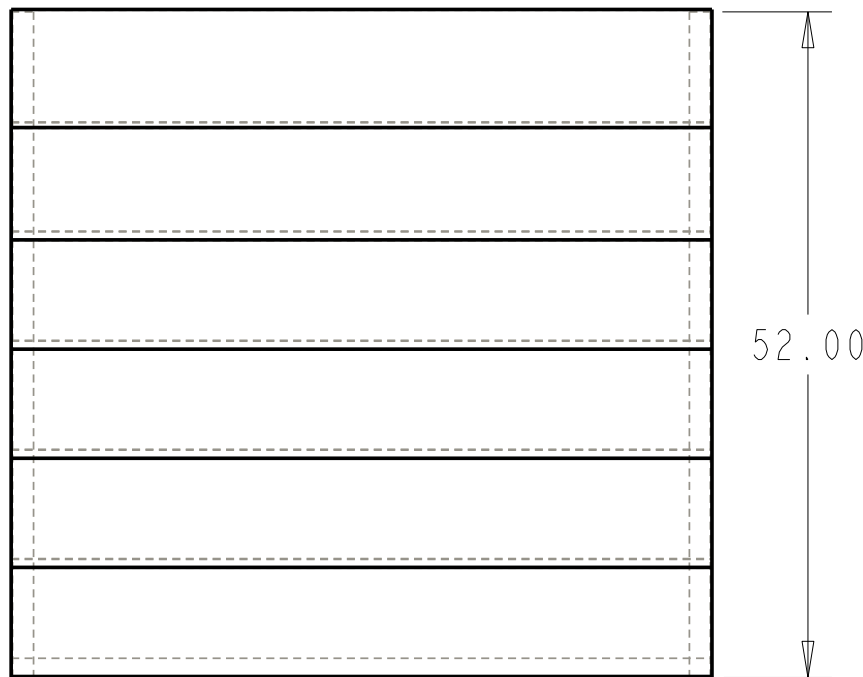
SCALE 0.040



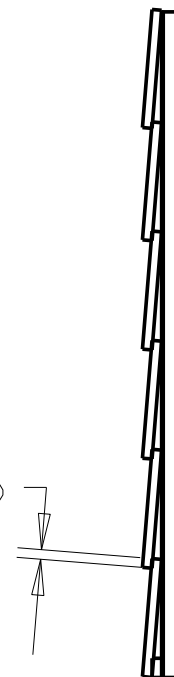
	Philmont Scout Ranch		Title: ROOF_SLATS
	Red Roof Inn V3		Tolerances: $\pm 0.25$
Drawn by: Ronald La Curan		SPF	Index: 14
Date: 10/06/08	Scale: 1:10	Version: 1	Page 21 of 38



SCALE 0.040

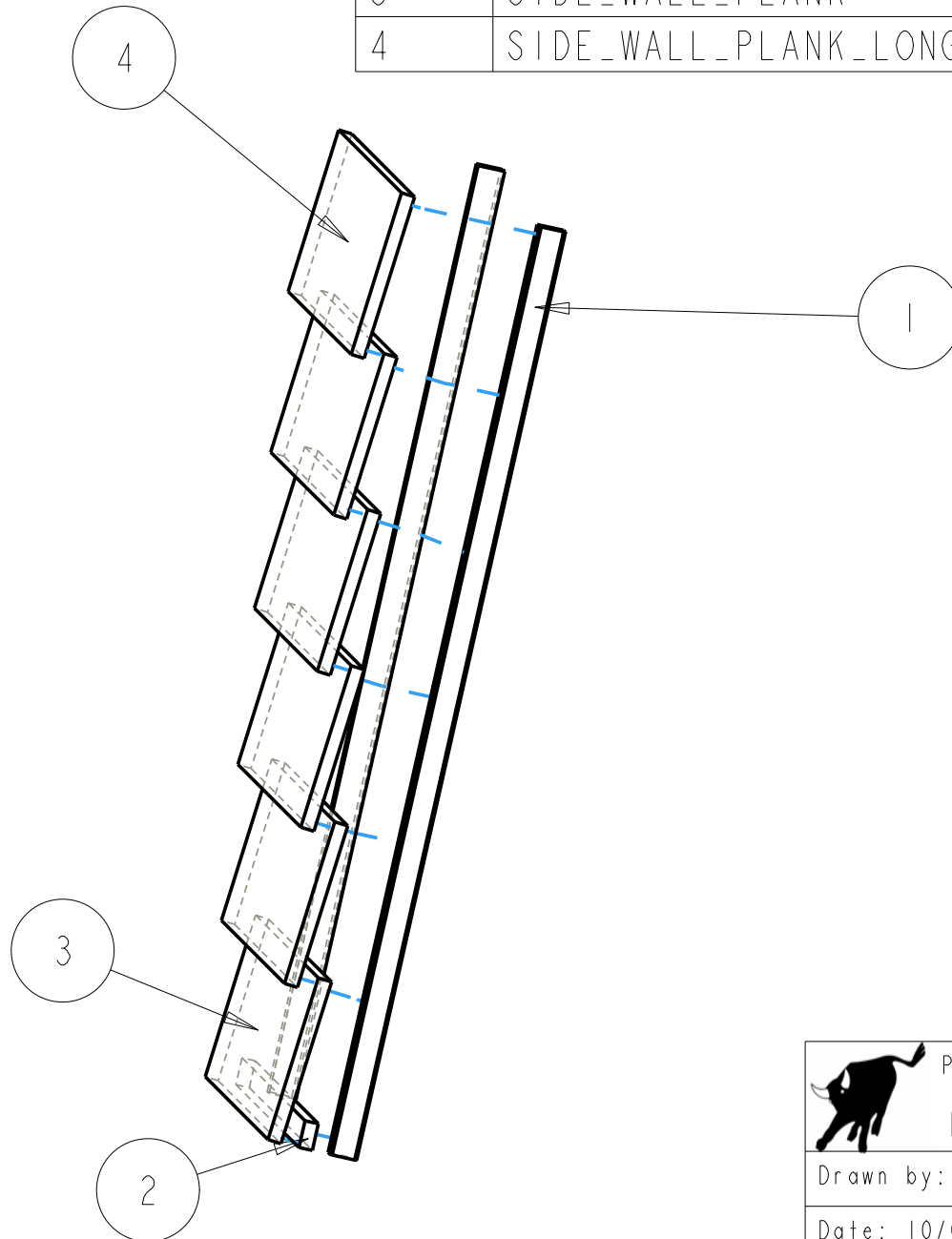


.75 Overlap

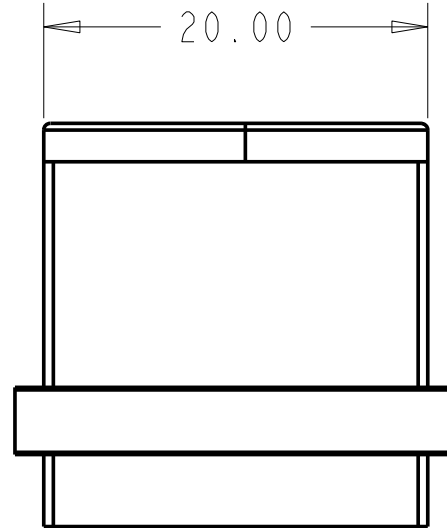
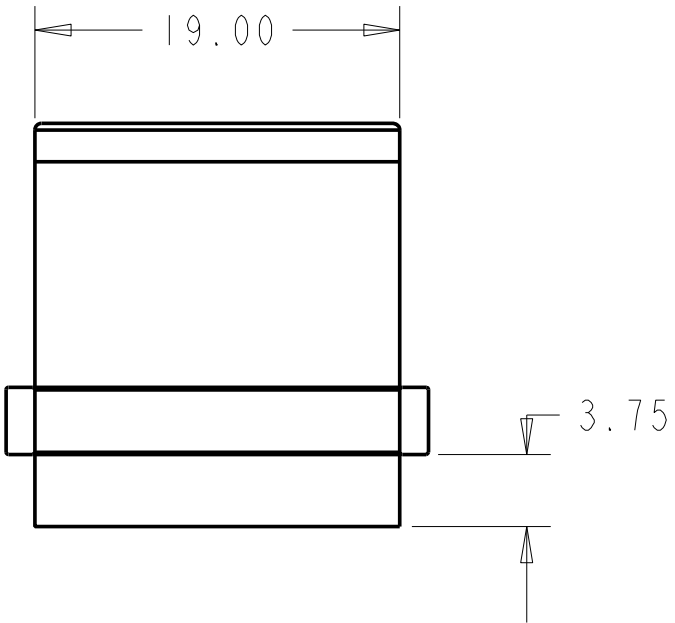
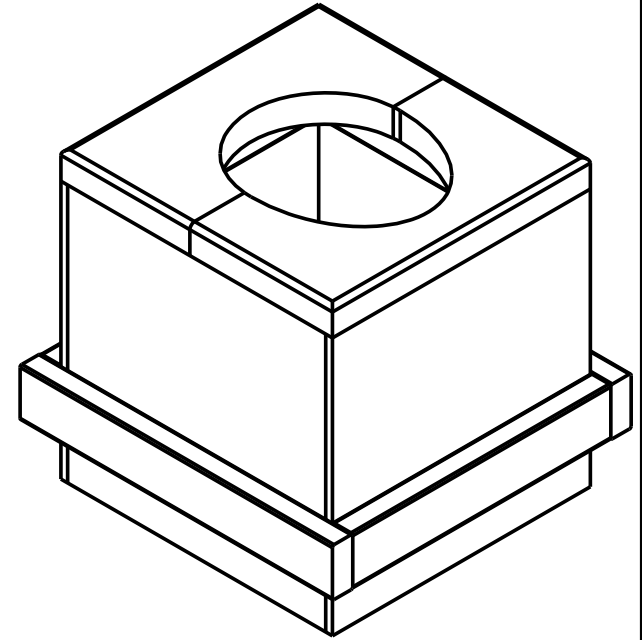
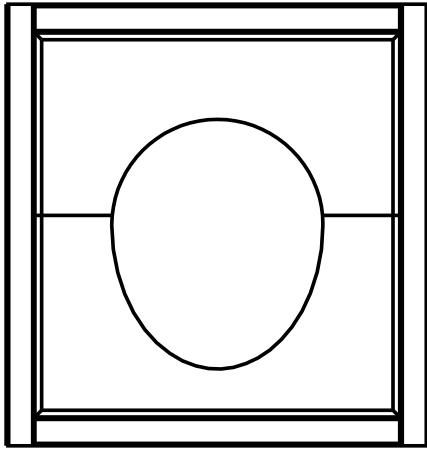


	Philmont Scout Ranch		Title: SIDE_WALL	
	Red Roof Inn V3		Tolerances: $\pm 0.25$	
Drawn by: Ronald La Curan		SPF	Index: 15	
Date: 10/06/08	Scale: 1:15	Version: 1	Page 22 of 38	

Index	Part Name	Description	Qty
1	SIDE_WALL_FRAME_1	2x2 Planed 52" Long	2
2	SIDE_WALL_FRAME_2	1x4 Planed 54.75" Long	1
3	SIDE_WALL_PLANK	1x10 Planed 54.75" Long	1
4	SIDE_WALL_PLANK_LONG	1x10 Planed 54.75" Long	5



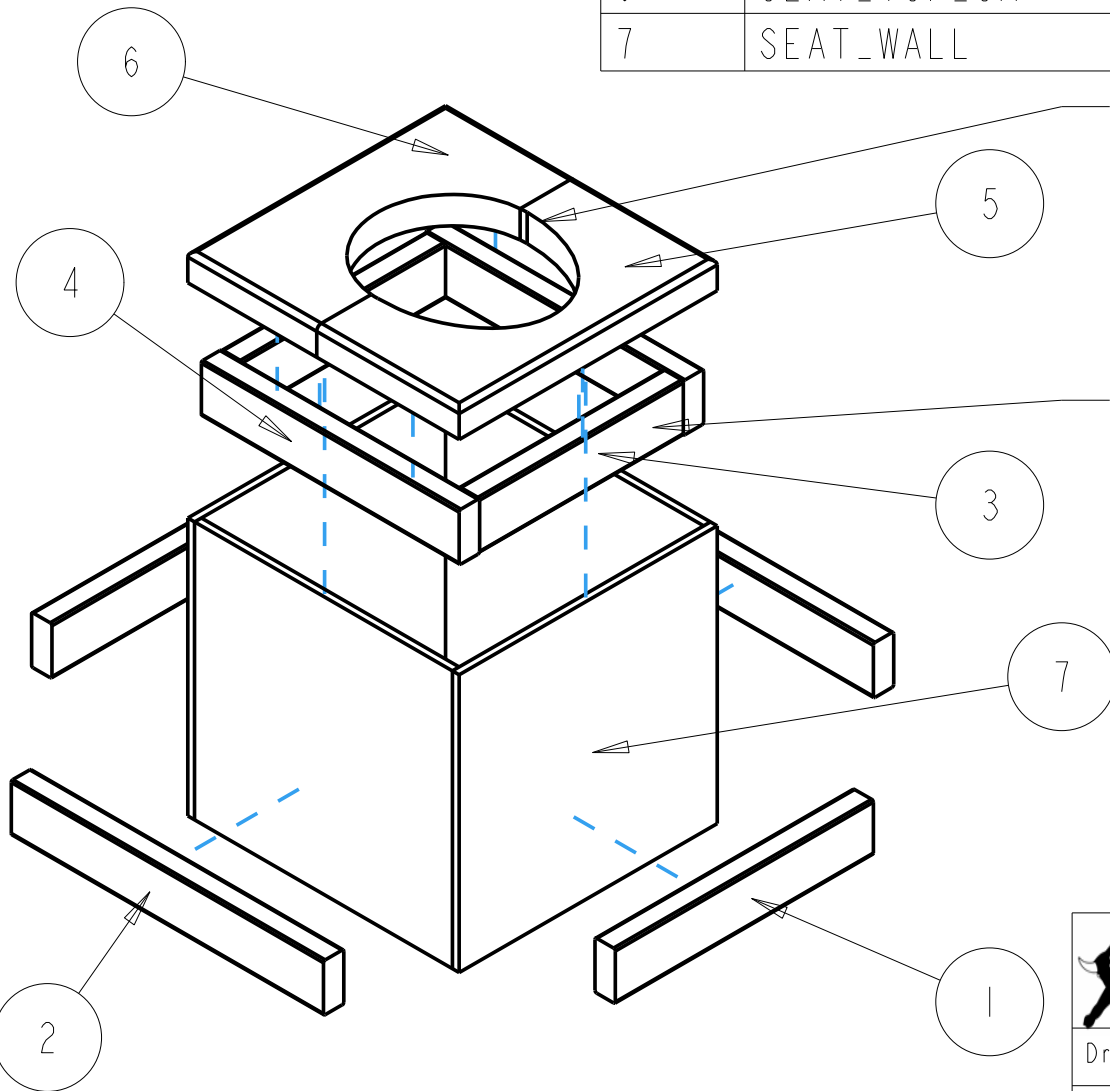
	Philmont Scout Ranch	Title: SIDE_WALL EXPLODE	
	Red Roof Inn V3	Tolerances: ±0.25	
Drawn by: Ronald La Curan	SPF	Index: 15	
Date: 10/06/08	Scale: 1:10	Version: 1	Page 23 of 38



	Philmont Scout Ranch	Title: TOILET_SEAT	
	Red Roof Inn V3	Tolerances: $\pm 0.25$	
Drawn by: Ronald La Curan	SPF	Index: 16	
Date: 10/06/08	Scale: 1:10	Version: 1	Page 24 of 38



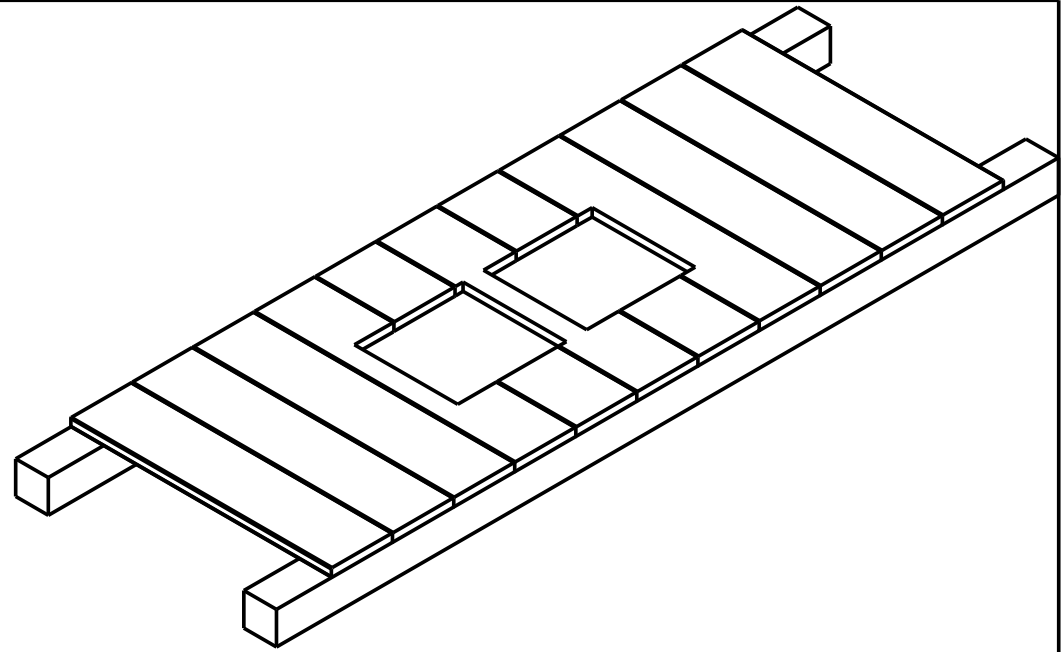
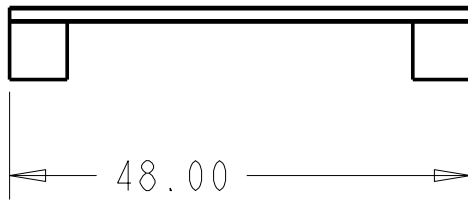
Index	Part Name	Description	Qty
1	SEAT_FRAME_1	2x4 Planed 19" Long	2
2	SEAT_FRAME_2	2x4 Planed 23" Long	2
3	SEAT_FRAME_3	2x4 Planed 15" Long	2
4	SEAT_FRAME_4	2x4 Planed 19" Long	2
5	SEAT_TOP_LG	2x10.5x19 Planed	1
6	SEAT_TOP_SM	2x9.5x19 Planed	1
7	SEAT_WALL	3/4" Plywood 19x19	4



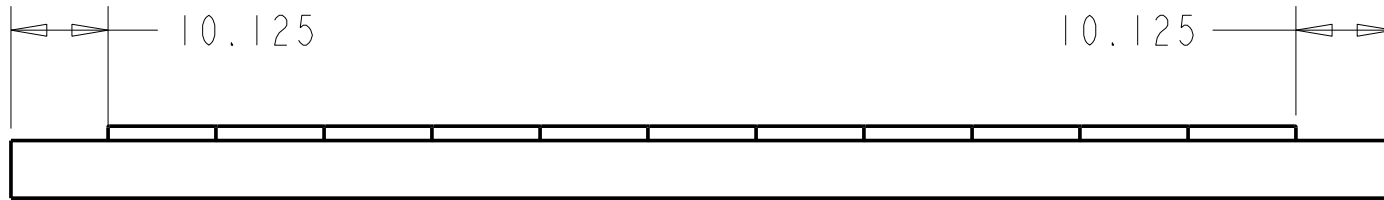
Center toilet seat on the top of the structure and trace the inside of the ring with a marker. Use a chainsaw to cut out the shape of the hole and then attach the toilet seat lid.


The framing composed of parts 3 and 4 should sit flush with the top of the box composed of part 7.

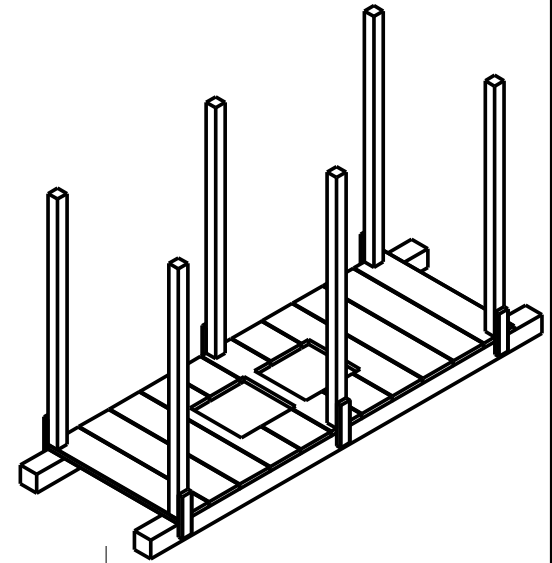
	Philmont Scout Ranch		Title: TOILET_SEAT EXPLODE	
	Red Roof Inn V3		Tolerances: $\pm 0.25$	
Drawn by: Ronald La Curan		SPF	Index: 16	
Date: 10/06/08	Scale: 1:10	Version: 1	Page 25 of 38	



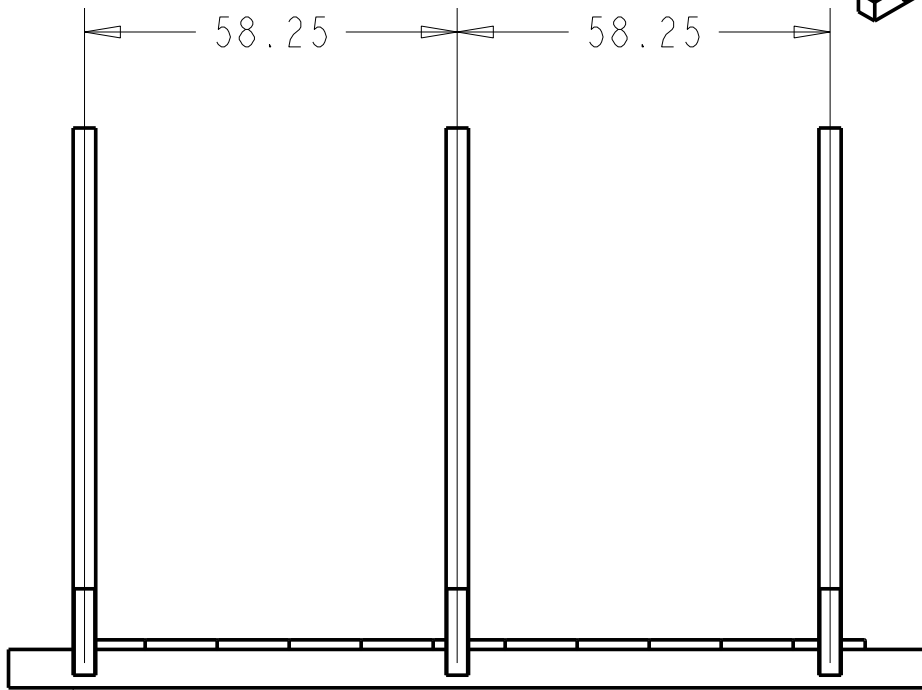
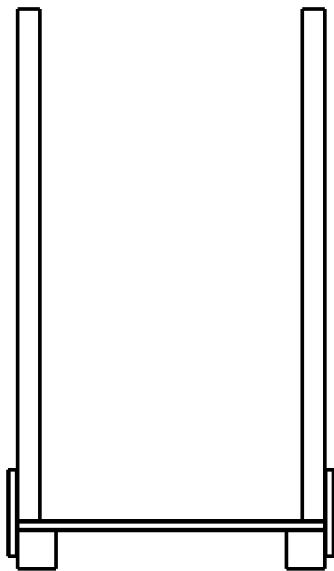
SCALE 0.040



	Philmont Scout Ranch		Title: ASSEMBLY 1
	Red Roof Inn V3		Tolerances: $\pm 0.25$
Drawn by: Ronald La Curan		N/A	Index: N/A
Date: 10/06/08	Scale: 1:20	Version: 1	Page 26 of 38

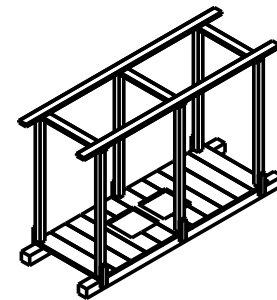


SCALE 0.020



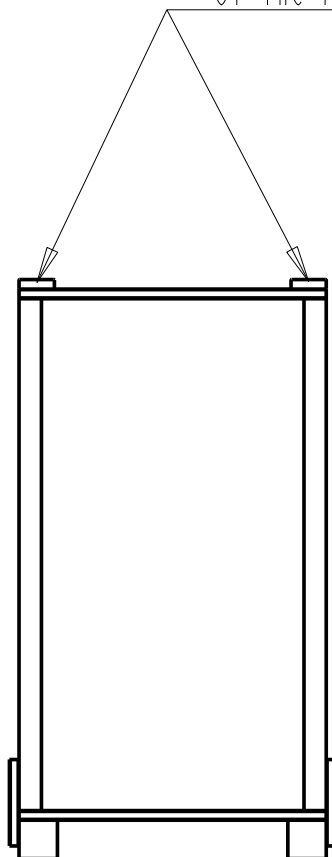
10.125

	Philmont Scout Ranch		Title: ASSEMBLY 2	
	Red Roof Inn V3		Tolerances: $\pm 0.25$	
Drawn by: Ronald La Curan		N/A		Index: N/A
Date: 10/06/08	Scale: 1:30	Version: 1		Page 27 of 38



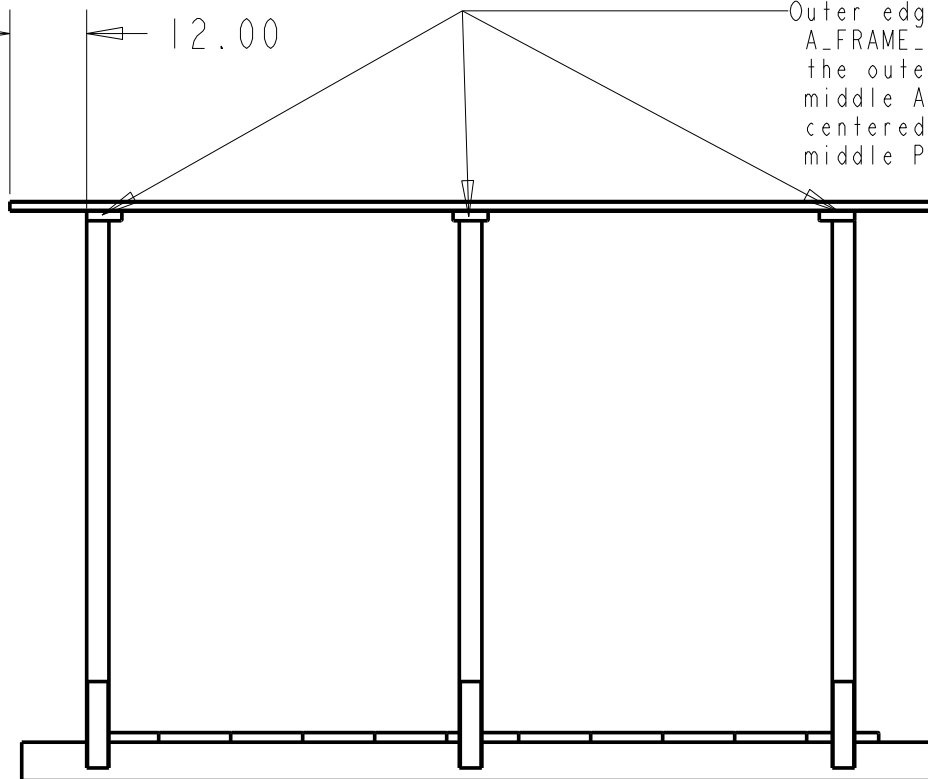
SCALE 0.010

A\_FRAME\_SUPPORTS will be flush with the outer edges of the POSTS.



12.00

Outer edges of these two A\_FRAME\_BASES will be flush with the outer edges of the POSTs. The middle A\_FRAME\_BASE will be centered over the centerline of the middle POST.



Philmont Scout Ranch

Red Roof Inn V3

Title: ASSEMBLY 3

Tolerances:  $\pm 0.25$

Drawn by: Ronald La Curan

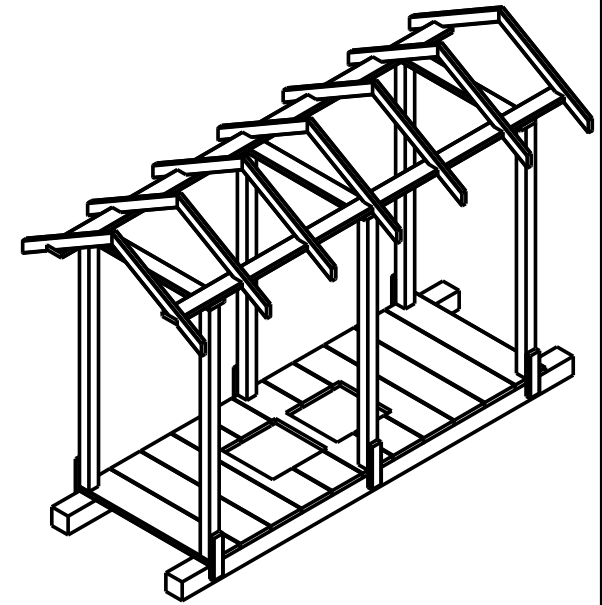
N/A

Index: N/A

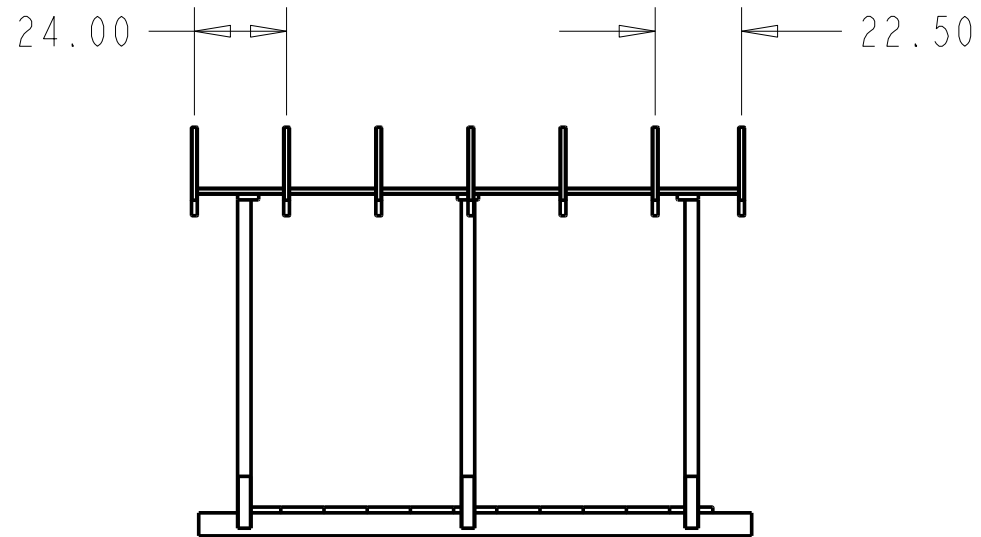
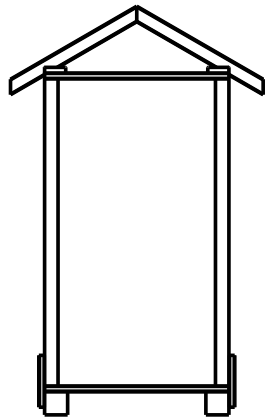
Date: 10/06/08 Scale: 1:30


Version: 1

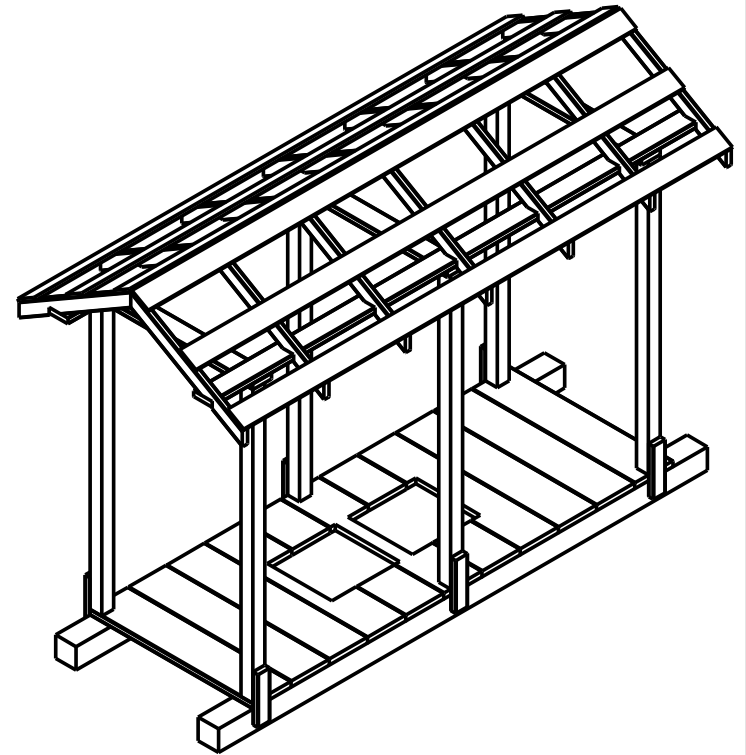
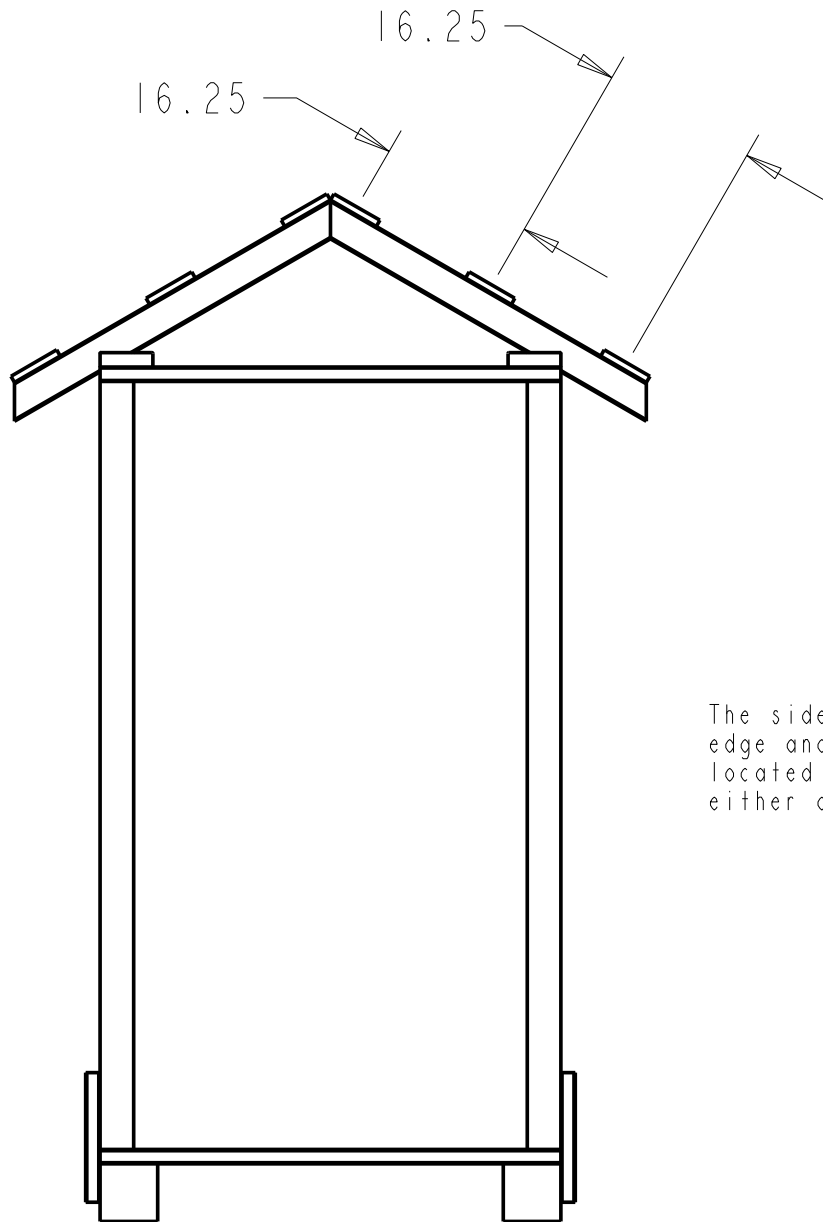
Page 28 of 38



A\_FRAME assemblies are to be spaced in 2ft intervals from center to center with the two A\_FRAME assemblies on either end being flush with the ends of the A\_FRAME\_SUPPORTs they are resting on. This will result in there only being a spacing of 22.50" between the final two A\_FRAME assemblies.



	Philmont Scout Ranch		Title: ASSEMBLY 4
	Red Roof Inn V3		Tolerances: $\pm 0.25$
Drawn by: Ronald La Curan	N/A	Index: N/A	
Date: 10/06/08	Scale: 1:50	Version: 1	Page 29 of 38



SCALE 0.025

The sides of the two outer ROOF\_SLATS should be flush with the edge and the peak of the A\_FRAME assemblies with the third located in between them, 16.25" from centerline to centerline of either of the outer ROOF\_SLATS.



Philmont Scout Ranch

Red Roof Inn V3

Title: ASSEMBLY 5

Tolerances:  $\pm 0.25$

Drawn by: Ronald La Curan

N/A

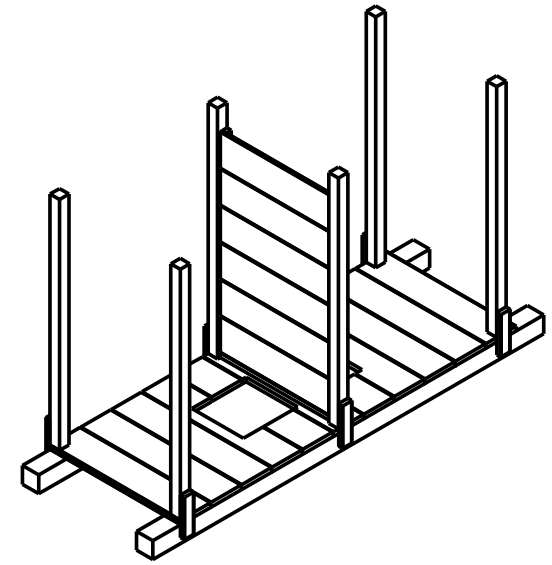
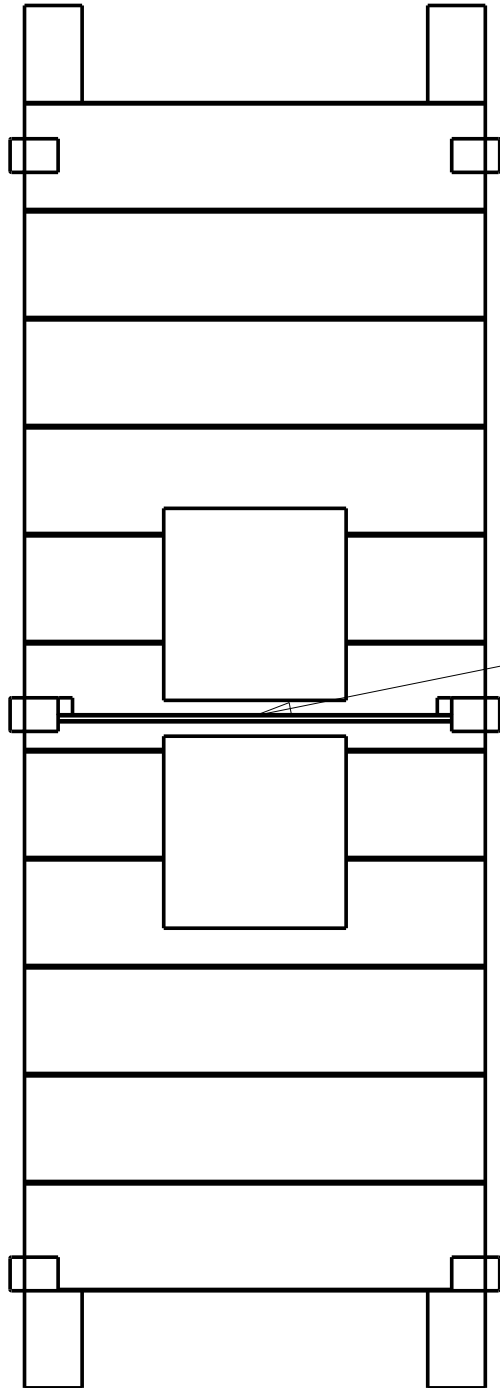
Index: N/A

Date: 10/06/08

Scale: 1:20


Version: 1

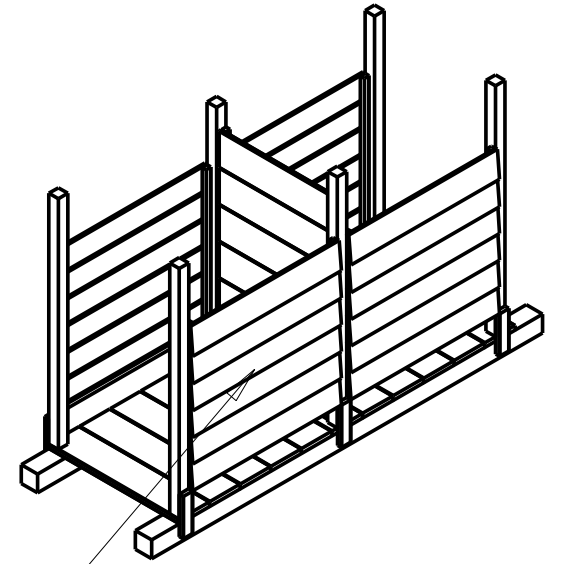
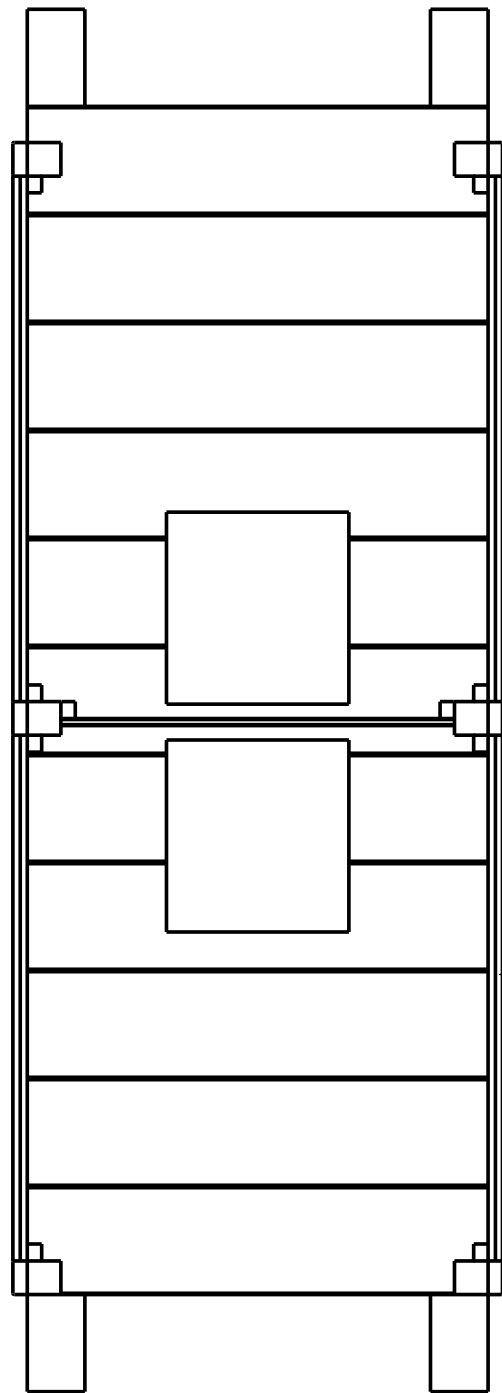
Page 30 of 38



SCALE 0.020

The CENTER\_WALL assembly will fit exactly between the two center POSTS of the Red Roof Inn. It should be placed flush on the ground and arrange the assembly such that the back sides of the framing for the CENTER WALL are flush with one side of the two center POSTS. This will center the CENTER\_WALL adequately.

	Philmont Scout Ranch		Title: ASSEMBLY 6
	Red Roof Inn V3		Tolerances: $\pm 0.25$
Drawn by: Ronald La Curan	N/A	Index: N/A	
Date: 10/06/08	Scale: 1:20	Version: 1	Page 31 of 38

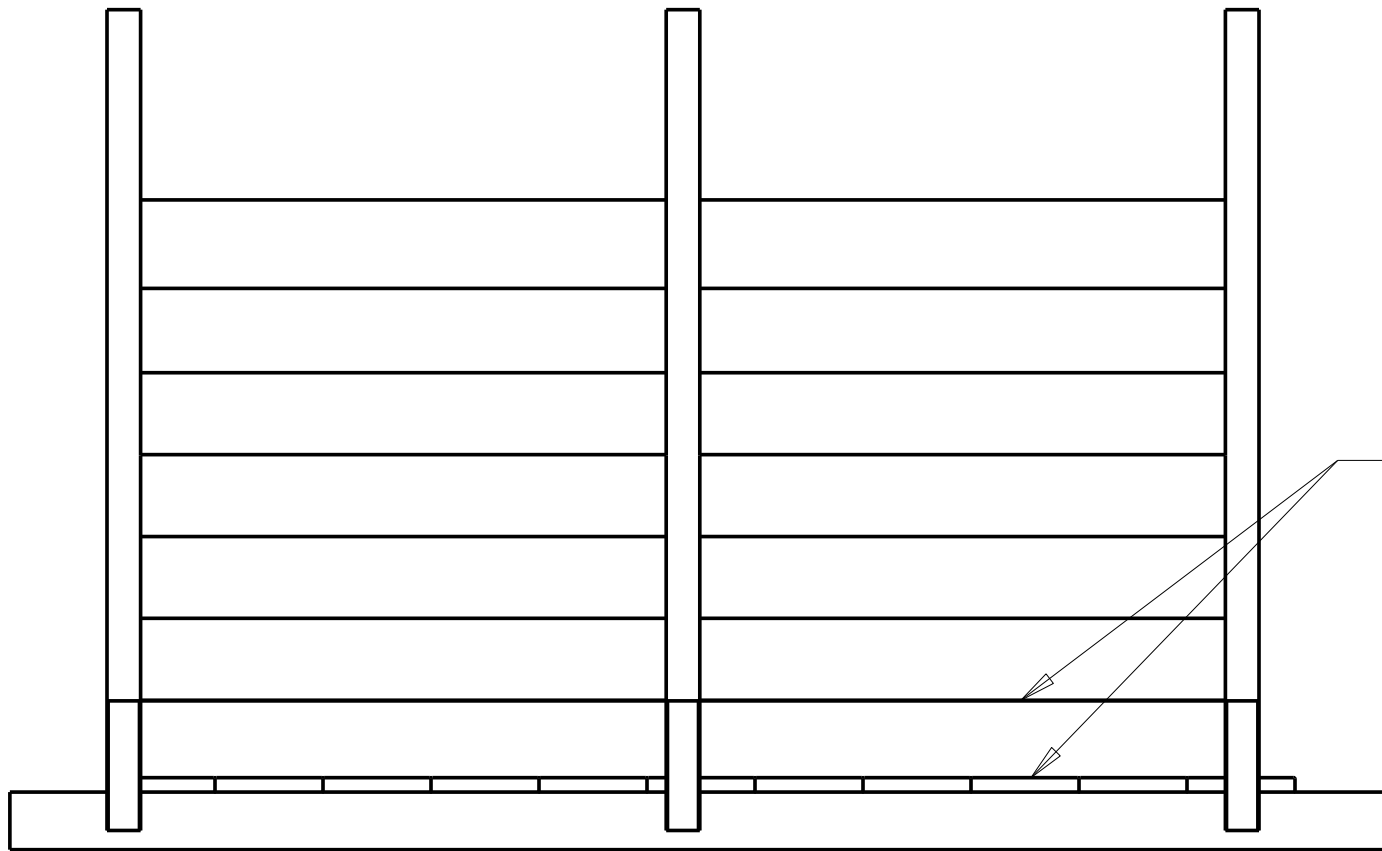


SCALE 0.020


Each SIDE\_WALL assembly should fit exactly between the POSTS already in place. They should be aligned such that the front side of the vertical framing on them (the side that the SIDE\_WALL\_PLANKing attaches to) is flush with the outer side of the POSTS.

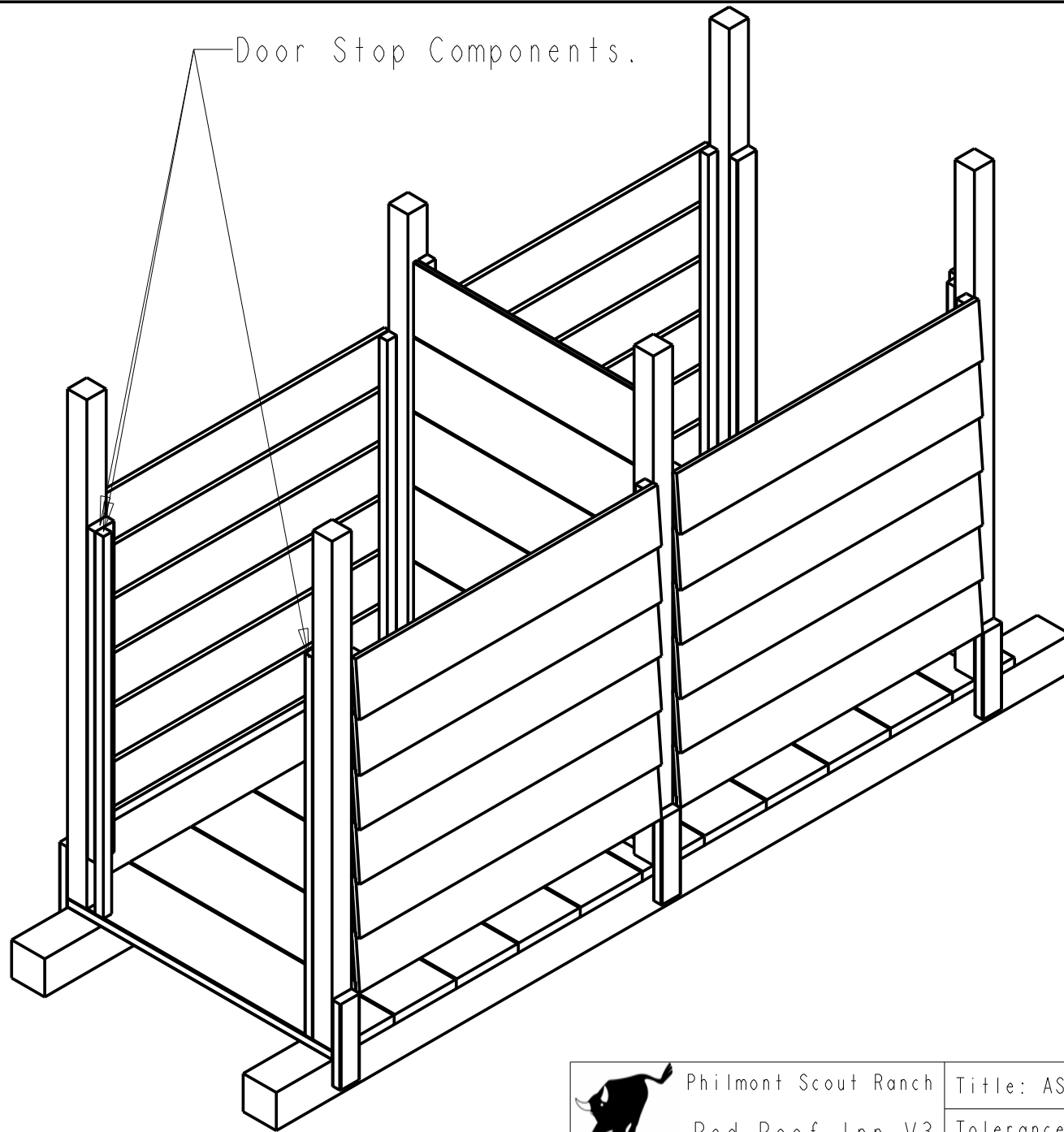
	Philmont Scout Ranch	Title: ASSEMBLY 7A	
	Red Roof Inn V3	Tolerances: $\pm 0.25$	
Drawn by: Ronald La Curan	N/A	Index: N/A	
Date: 10/06/08	Scale: 1:30	Version: 1	Page 32 of 38





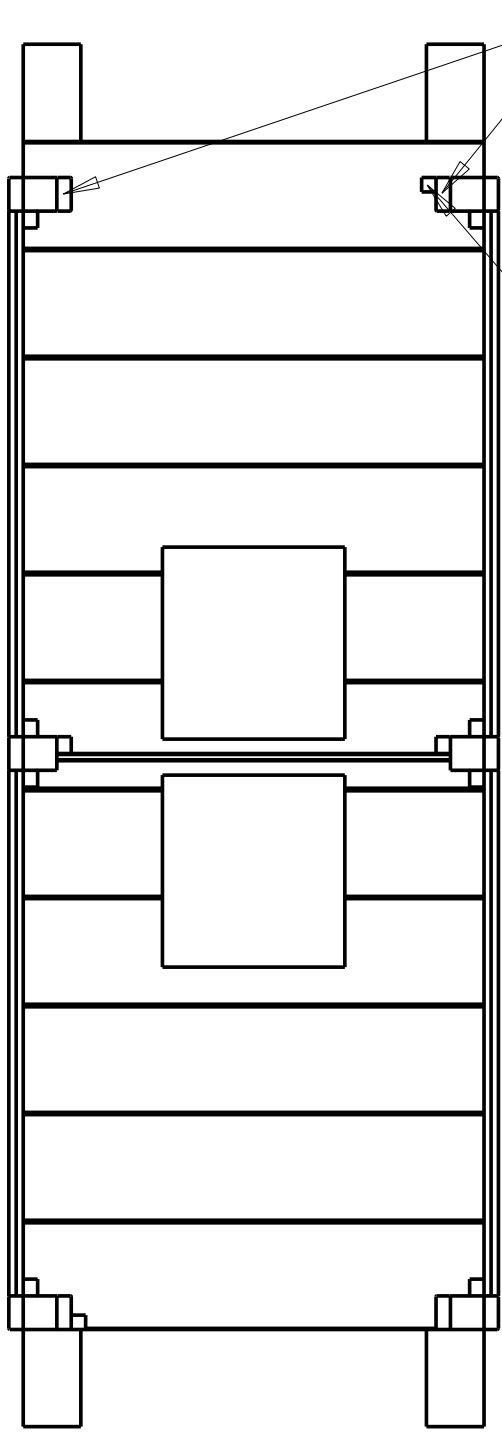
The proper gap here can be easily achieved by using two 2x4x8 blocks, lightly nailed into the bordering POSTS. Place the SIDE\_WALL upon these two blocks and this will keep the SIDE\_WALL level and provide a platform for it to rest while you nail it in place.

	Philmont Scout Ranch		Title: ASSEMBLY 7B
	Red Roof Inn V3		Tolerances: $\pm 0.25$
Drawn by: Ronald La Curan	N/A	Index: N/A	
Date: 10/06/08	Scale: 1:20	Version: 1	Page 33 of 38



Door Stop Components.

	Philmont Scout Ranch	Title: ASSEMBLY 8A	
	Red Roof Inn V3	Tolerances: $\pm 0.25$	
Drawn by: Ronald La Curan	N/A	Index: N/A	
Date: 10/06/08	Scale: 1:20	Version: 1	Page 34 of 38

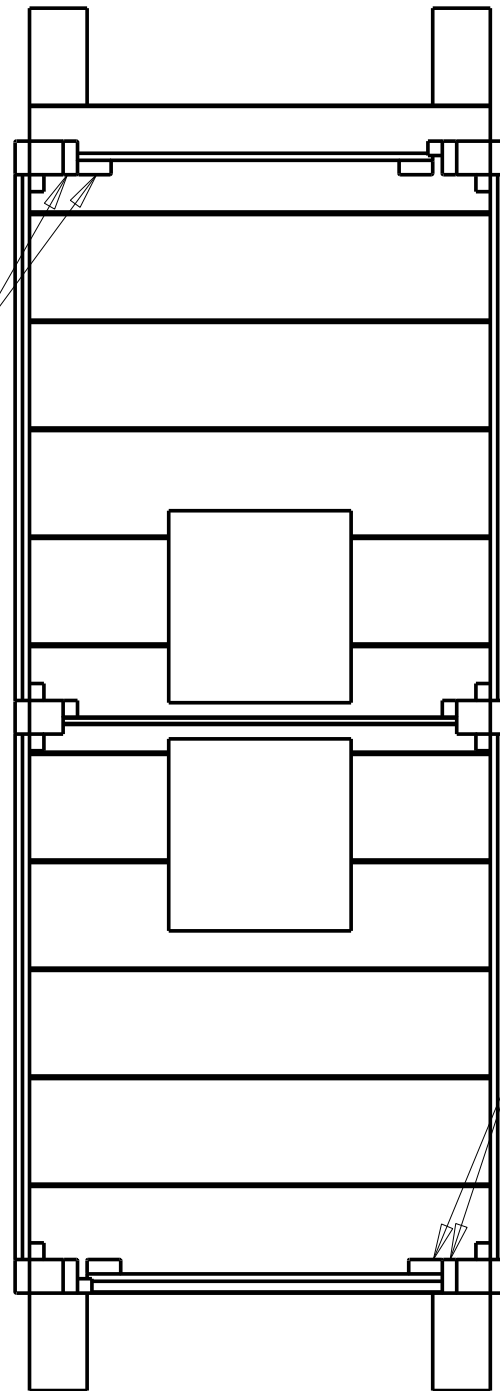


DOOR\_STOP\_1 and DOOR\_STOP\_2 are nailed into the POSTS flush against the POSTS.

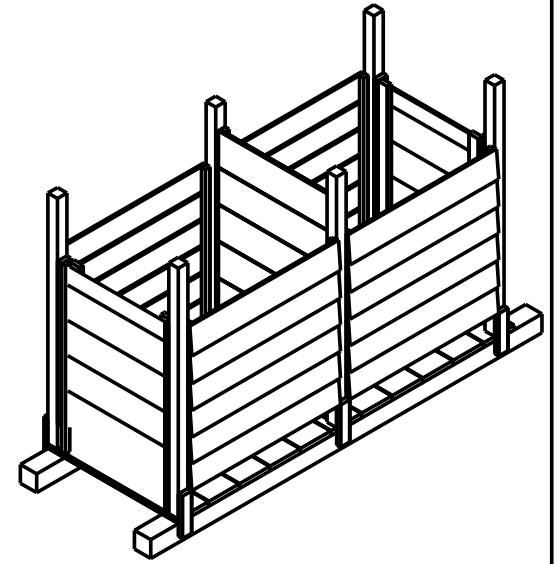
DOOR\_STOP\_3 is a 2x2 that will be located on the left hand side POST. It should be placed flush with the side of the POST closest to you if you were looking into the structure from outside.

	Philmont Scout Ranch		Title: ASSEMBLY 8B
	Red Roof Inn V3		Tolerances: $\pm 0.25$
Drawn by: Ronald La Curan		N/A	Index: N/A
Date: 10/06/08	Scale: 1:20	Version: 1	Page 35 of 38

Attach hinges here for door assembly

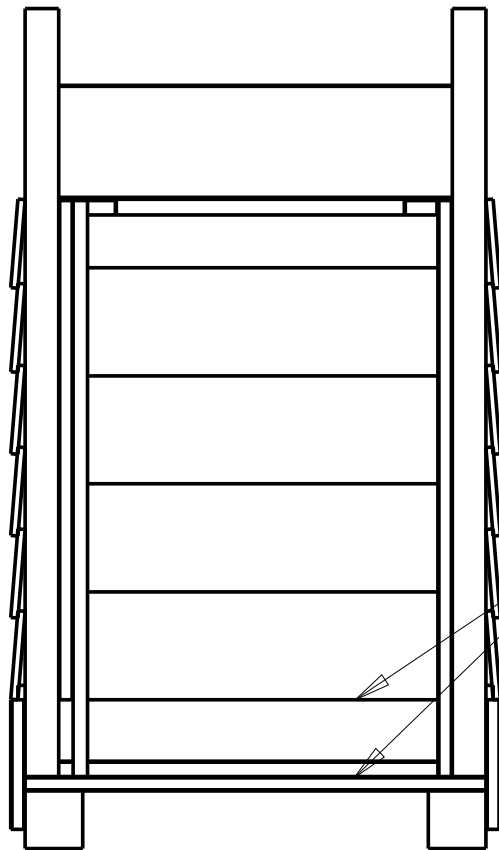


Attach hinges here for door assembly



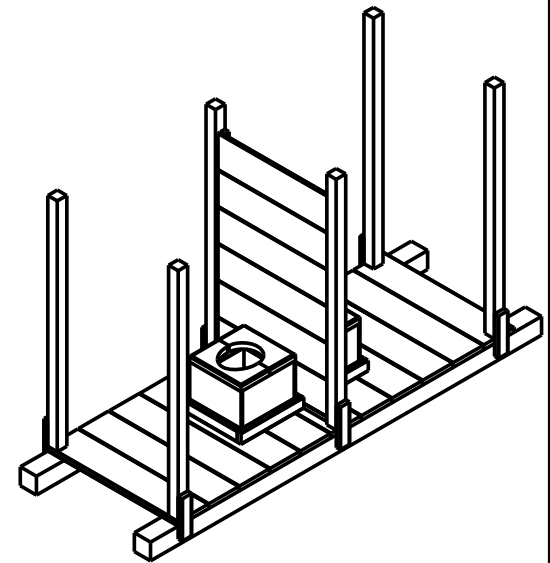
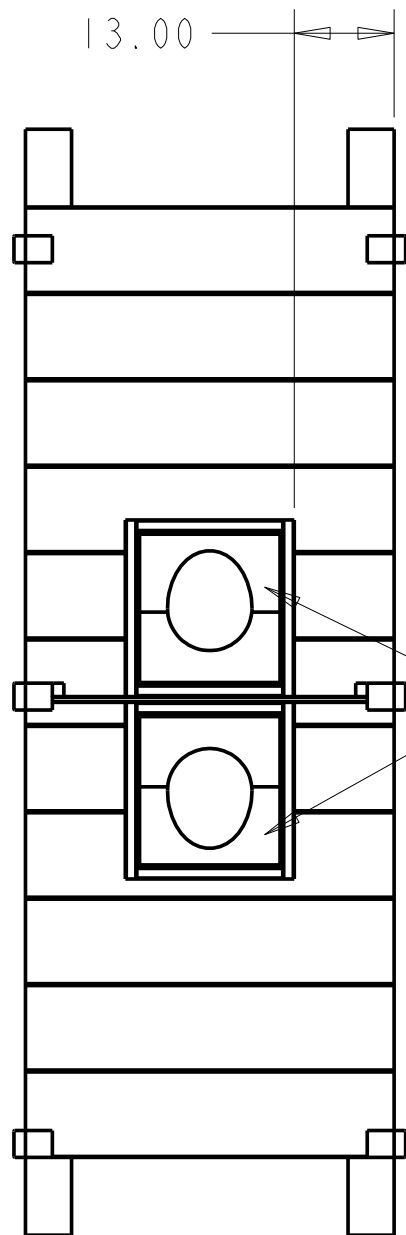
SCALE 0.020

	Philmont Scout Ranch	Title: ASSEMBLY 9A	
	Red Roof Inn V3	Tolerances: $\pm 0.25$	
Drawn by: Ronald La Curan	N/A	Index: N/A	
Date: 10/06/08	Scale: 1:20	Version: 1	Page 36 of 38



As with SIDE\_WALLs, to achieve the proper gap use the two 2x4x8 blocks attached to the posts. Sit the door on top of the blocks and attach the hinges on the locations specified, at least 6" from the top or bottom of the door.

	Philmont Scout Ranch		Title: ASSEMBLY 9B	
	Red Roof Inn V3		Tolerances: ±0.25	
Drawn by: Ronald La Curan		N/A		Index: N/A
Date: 10/06/08	Scale: 1:20	Version: 1		Page 37 of 38



SCALE 0.020

Place TOILET\_SEAT so that the rearmost portion of the outer frame is up against the CENTER\_WALL. Then center the TOILET\_SEAT along the FLOOR boards. A dimension is given for assistance. Once centered, using a marker, trace around the box base of the TOILET\_SEAT, remove the TOILET\_SEAT and use a chain saw to cut out the hole and then slide the TOILET\_SEATS into place. IMPORTANT: Trace only the box made by the 3/4" plywood portion of the TOILET\_SEAT, not around the outer frame. If you use the outer frame, the TOILET\_SEAT will fall right through the floor.

	Philmont Scout Ranch	Title: ASSEMBLY 10	
	Red Roof Inn V3	Tolerances: $\pm 0.25$	
Drawn by: Ronald La Curan	N/A	Index: N/A	
Date: 10/06/08	Scale: 1:25	Version: 1	Page 38 of 38

## Red Roof Inn Lumber Requirements and Cost Estimate

The following list is provided as an estimate of the required lumber to build one Red Roof Inn:

	6'	8'	10'	12'	14'	16'
6x6				2		
4x4			4			
2x12		1		1		2
2x10						
2x8						
2x6				2		
2x4		1	5	1	2	2
2x2			2		1	
1x12					1	2
1x10			1		8	
1x8						
1x6		1		6		
1x4						
1x2	1					

\*The 1x2 could be replaced by just using a piece of 2x4 but in half.

\*\*In addition to this list, one will need to purchase an 8'x4' section of ¾" plywood.

This list was produced using hand calculations to optimize the cuts of wood required to create the pieces of the structure (i.e. find out the least amount of lumber needed to create all of the pieces).

The price listed below reflects current market values for RBS True Value Building Materials, INC in Northern New Mexico and is given only as an estimate. Prices will vary both by location and random market fluctuations. Using pricing provided by RBS the cost of a Red Roof Inn was estimated to be **\$446.29**

Date: October 20, 2008